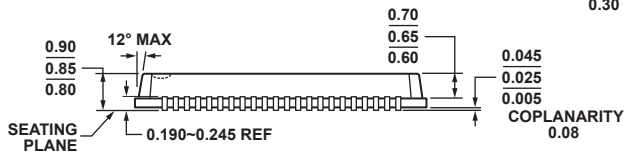
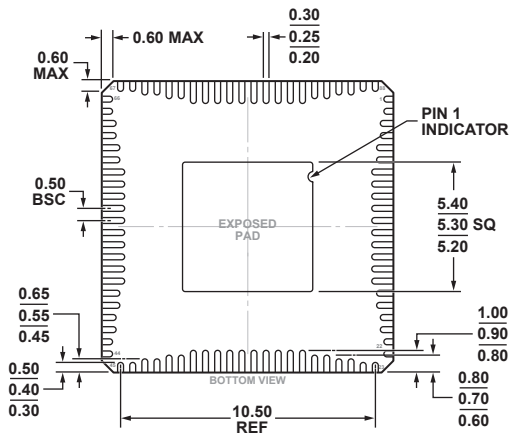
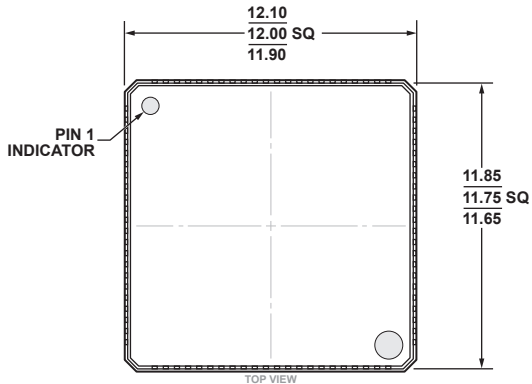


88-Lead Lead Frame Chip Scale Package [LFCSP]
 12 x 12 mm Body and 0.85 mm Package Height
 (CP-88-10)

Dimensions shown in millimeters



COMPLIANT TO JEDEC STANDARDS MO-220