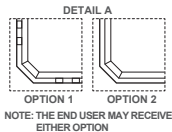
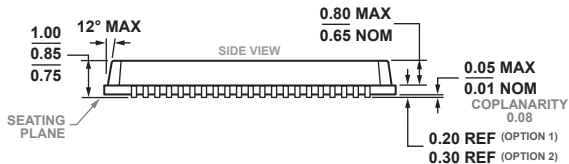
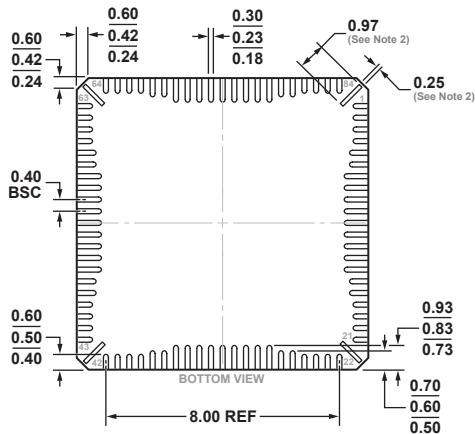
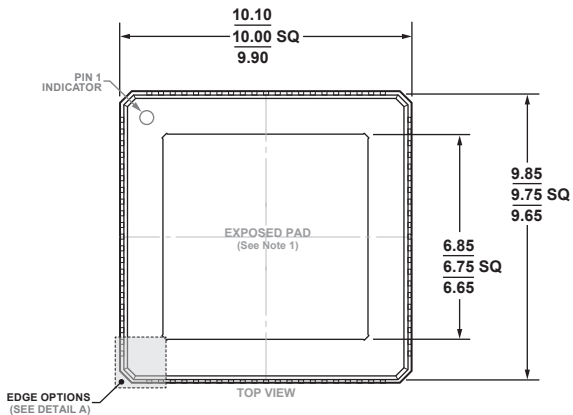


**84-Lead Lead Frame Chip Scale Package [LFCSP]  
10 x 10 mm Body and 0.85 mm Package Height  
(CP-84-2)**

Dimensions shown in millimeters



**NOTES:**

- FOR PROPER CONNECTION OF THE EXPOSED PAD, REFER TO THE PIN CONFIGURATION AND FUNCTION DESCRIPTIONS SECTION OF THIS DATA SHEET.
- TIEBARS MAY OR MAY NOT BE SOLDERED TO THE BOARD.