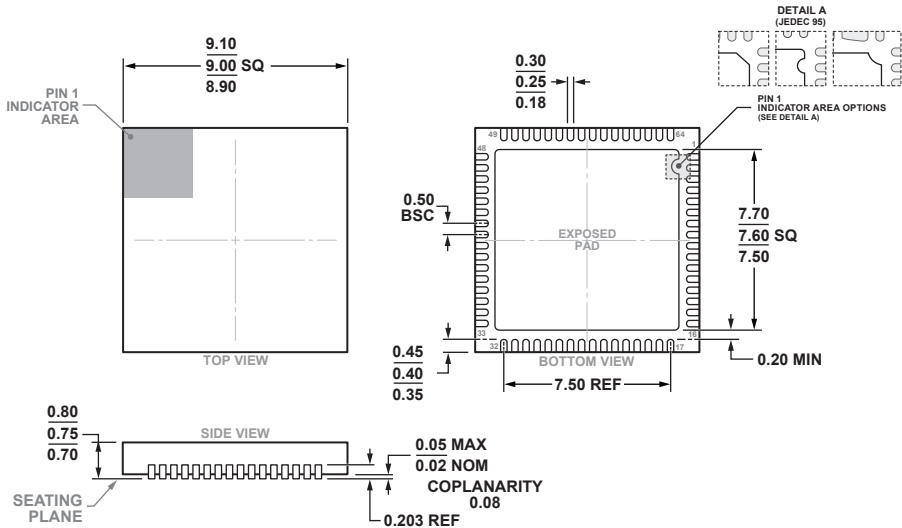


**64-Lead Lead Frame Chip Scale Package [LFCSP]
9 x 9 mm Body and 0.75 mm Package Height
(CP-64-15)**

Dimensions shown in millimeters



COMPLIANT TO JEDEC STANDARDS MO-220-WMMD