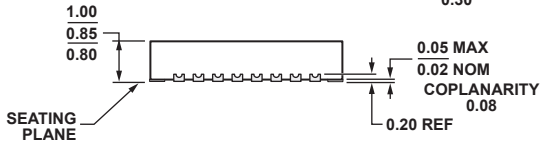
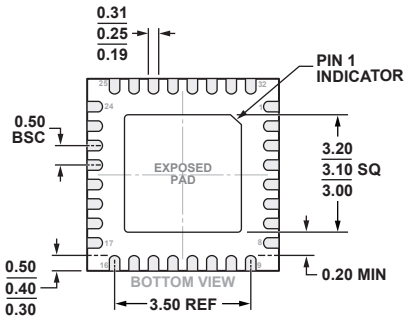
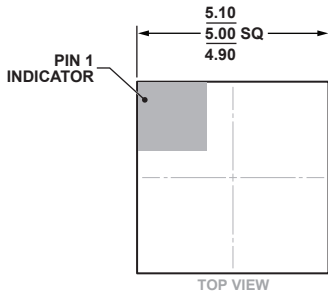


**32-Lead Lead Frame Chip Scale Package [LFCSP]
5 x 5 mm Body and 0.85 mm Package Height.
(CP-32-27)**

Dimensions shown in millimeters



COMPLIANT TO JEDEC STANDARDS MO-220-VHHD-2