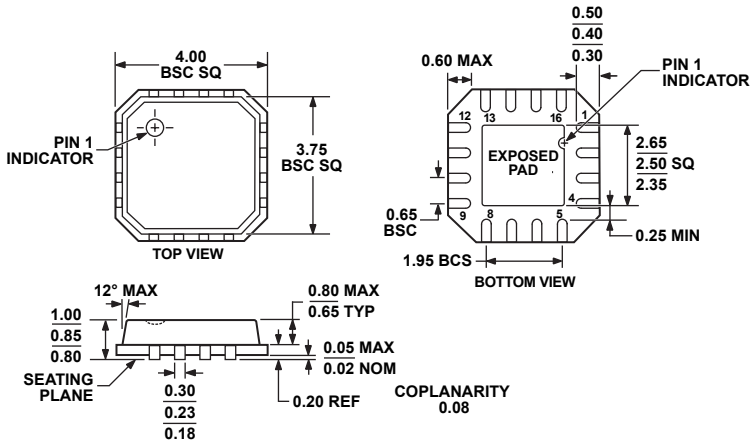


**16-Lead Lead Frame Chip Scale Package [LFCSP_VQ]
4 x 4 mm Body, Very Thin Quad
(CP-16-13)**

Dimensions shown in millimeters



COMPLIANT TO JEDEC STANDARDS MO-220-VGGC.