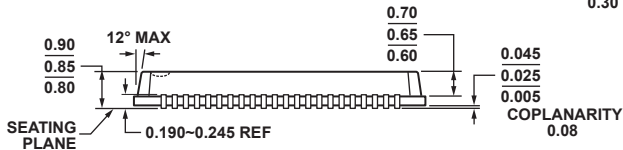
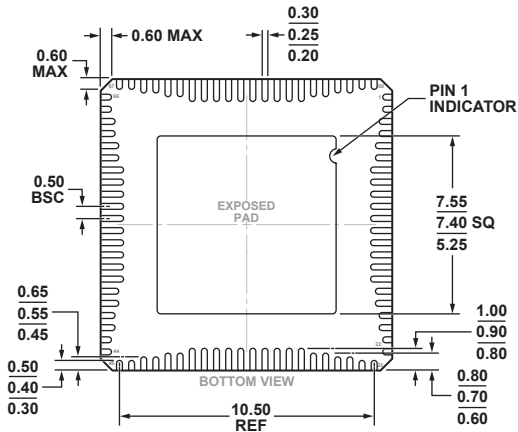
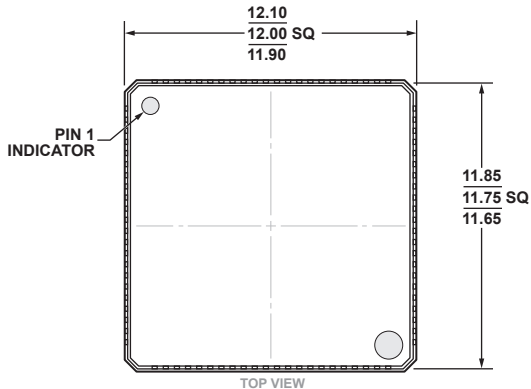


88-Lead Lead Frame Chip Scale Package [LFCSP_VQ]
12 x 12 mm Body, Very Thin Quad
(CP-88-9)
 Dimensions shown in millimeters



COMPLIANT TO JEDEC STANDARDS MO-220