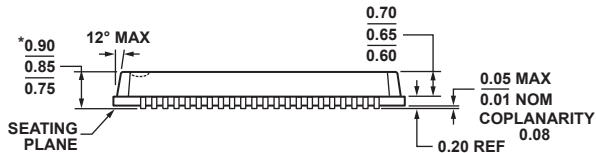
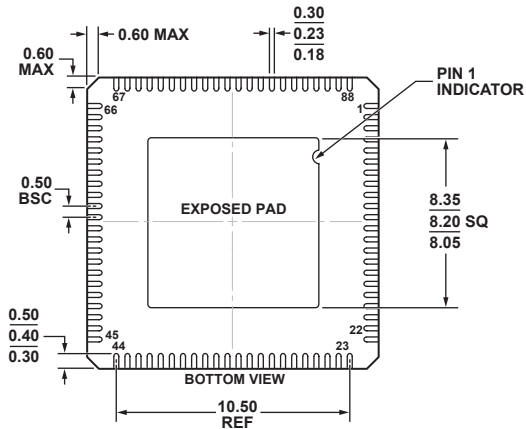
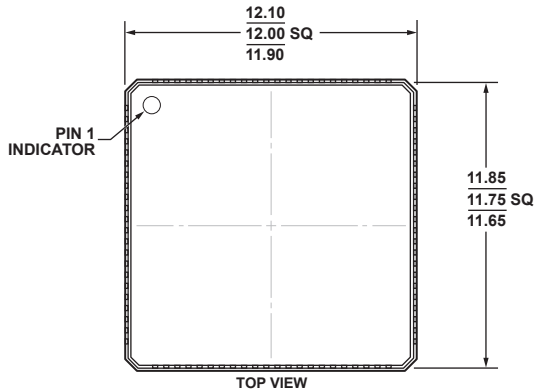


88-Lead Lead Frame Chip Scale Package [LFCSP_VQ]
12 x 12 mm Body, Very Thin Quad
(CP-88-4)
Dimensions shown in millimeters



***COMPLIANT TO JEDEC STANDARDS MO-220-VRRD
EXCEPT FOR MINIMUM THICKNESS AND LEAD COUNT.**