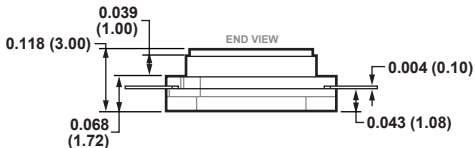
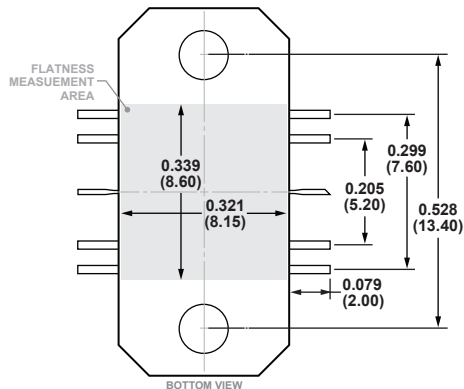
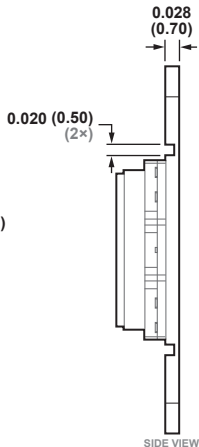
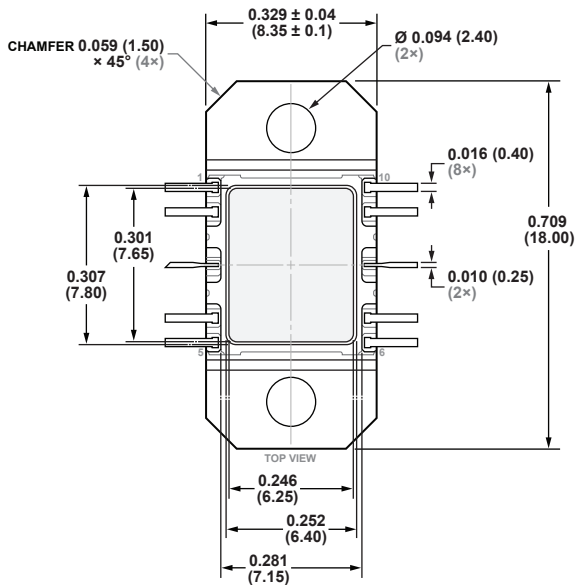


**10-Lead Ceramic Leaded Chip Carrier [LDCC]
(EJ-10-2)
Dimensions shown in inches and (millimeters)**



CONTROLLING DIMENSIONS ARE IN INCH; MILLIMETERS DIMENSIONS (IN PARENTHESES) ARE ROUNDED-OFF INCH EQUIVALENTS FOR REFERENCE ONLY AND ARE NOT APPROPRIATE FOR USE IN DESIGN.