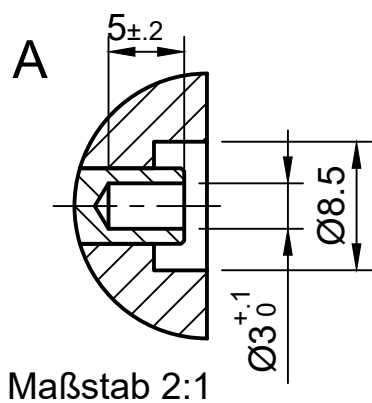


Maßstab 1:1



Maßstab 2:1

QSH2818	Length
-32-07-006	32 mm
-51-07-012	51 mm

Dept. Trinamic	Technical reference	Created by Jakob Büsch 07.03.2019	Approved by	
		Document type	Document status	
		Title QSH2818-X Technische Zeichnung	DWG No.	
		Rev.	Date of issue	Sheet 1/1