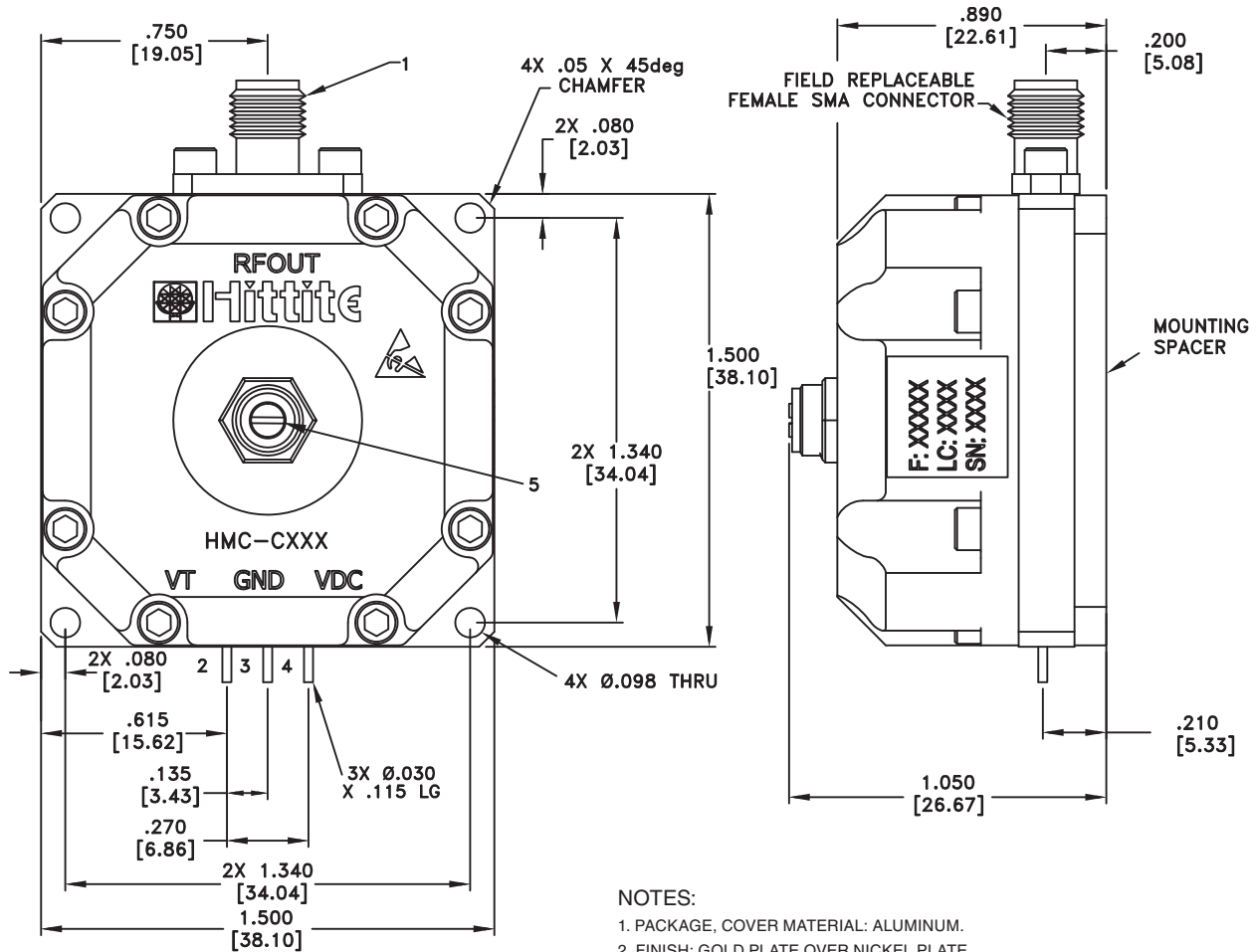


C-18 – CONNECTORIZED HERMETIC MODULE

C-18 Package Outline Drawing



NOTES:

1. PACKAGE, COVER MATERIAL: ALUMINUM.
2. FINISH: GOLD PLATE OVER NICKEL PLATE.
3. MOUNTING SPACER: NICKEL PLATED ALUMINUM.
4. ALL DIMENSIONS ARE IN INCHES [MILLIMETERS].
5. TOLERANCES: UNLESS OTHERWISE SPECIFIED
 - 5.1 .XX = $\pm .02$ [.51]
 - 5.2 .XXX = $\pm .010$ [.25]
6. MARK LABEL PER PART NO. 124587 AS SHOWN.