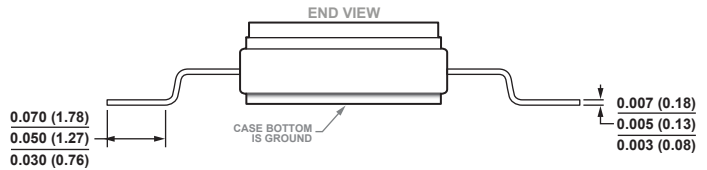
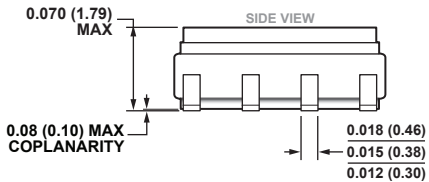
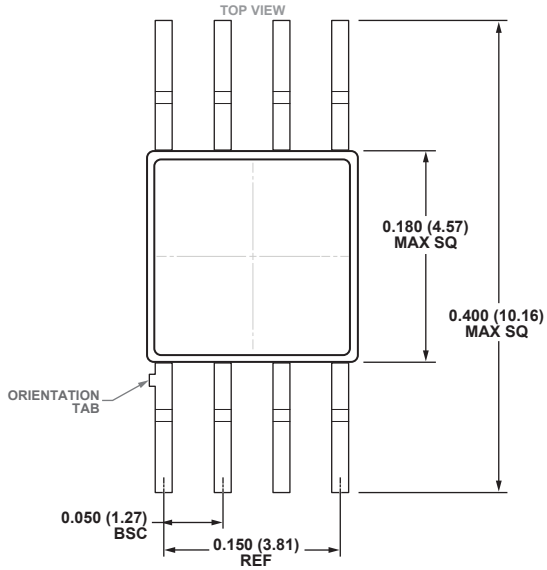


**8-Lead Flat Package with Gullwing Formed Leads [FLATPACK_RF]
(FR-8-2)**

Dimensions shown in inches and (millimeters)



**CONTROLLING DIMENSIONS ARE IN INCHES; MILLIMETER DIMENSIONS
(IN PARENTHESES) ARE ROUNDED-OFF INCH EQUIVALENTS FOR
REFERENCE ONLY AND ARE NOT APPROPRIATE FOR USE IN DESIGN.**