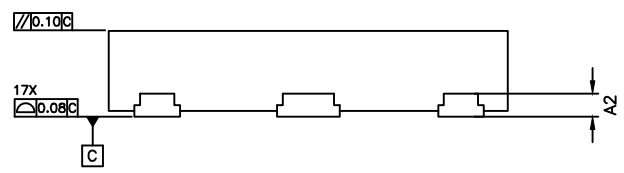
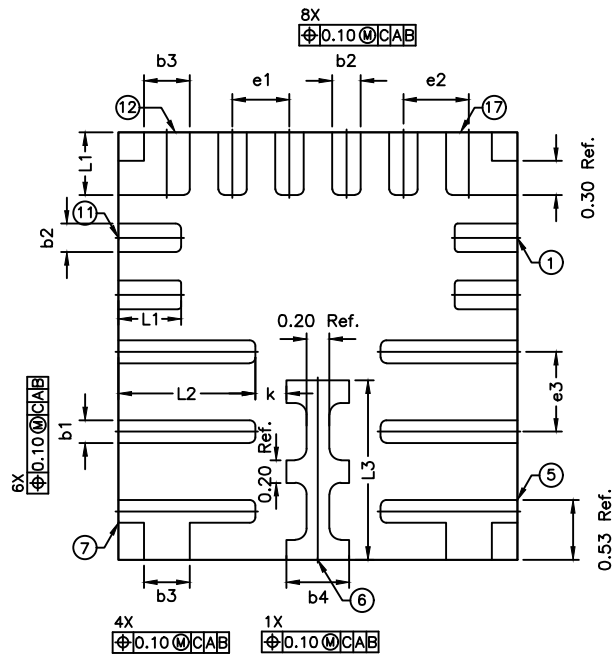
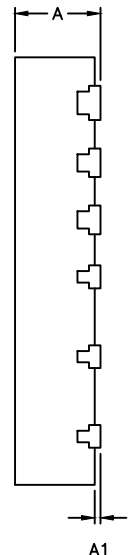
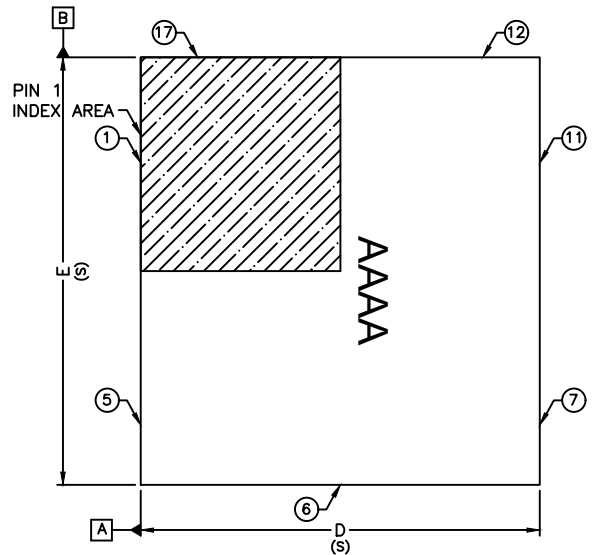


DOCUMENT TYPE: POD
DOCUMENT ID #: 21-100699
REVISION: A-000
DOCUMENT TITLE: PACKAGE OUTLINE, 17 LD, FC2QFN 3.5X3.75X
EFFECTIVE DATE: 12/05/2022
EXPIRATION DATE:
CHANGE NUMBER: 1176029
ORIGINATOR: Bernard Go

REASON FOR CHANGE:
INITIAL RELEASE
POD for F173A3F+1F, AE01 pkg code at UTL



COMMON DIMENSIONS			
DIM	MIN	NOM	MAX
A	0.70	0.75	0.80
A1	0.0	-	0.05
A2	0.20 REF.		
b1	0.15	0.20	0.25
b2	0.20	0.25	0.30
b3	0.35	0.40	0.45
b4	0.50	0.55	0.60
D	3.40	3.50	3.60
E	3.65	3.75	3.85
e1	0.50 BSC		
e2	0.575 BSC		
e3	0.70 BSC		
L1	0.45	0.55	0.65
L2	1.10	1.20	1.30
L3	1.475	1.575	1.675
k	0.25 Ref.		
N	17		

NOTE :

1. ALL DIMENSION ARE IN mm. ANGLES IN DEGREES.
2. COPLANARITY APPLIES TO THE EXPOSED PAD AS WELL AS THE TERMINALS. COPLANARITY SHALL NOT EXCEED 0.08 mm.
3. WARPAGE SHALL NOT EXCEED 0.10 mm.
4. PACKAGE LENGTH / PACKAGE WIDTH ARE CONSIDERED AS SPECIAL CHARACTERISTIC. (S)
5. REFER JEDEC MO-220.
6. PKG CODE IS F173A3F+1F.



TITLE:
PACKAGE OUTLINE, 17 LD, FC2QFN
3.5X3.75X0.75 MM

APPROVAL ZHEN LI	DOCUMENT CONTROL NO. 21-100699	REV. A	1/1
---------------------	-----------------------------------	--------	-----

-DRAWING NOT TO SCALE-

