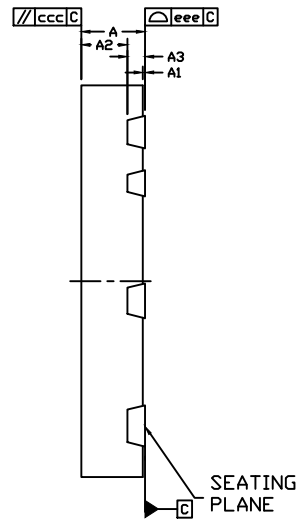
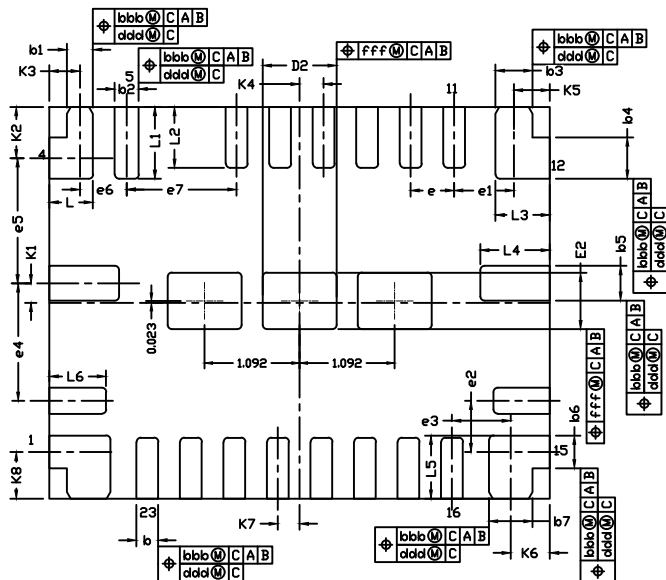


LASER MARK FOR PIN 1 IDENTIFICATION IN THIS AREA

TOP VIEW



SIDE VIEW



BOTTOM VIEW

NOTES:

1. ALL DIMENSIONS ARE IN MILLIMETERS.
2. DIMENSIONING & TOLERANCES CONFORM TO ASME Y14.5M, -1994.
3. THE PIN #1 IDENTIFIER MUST BE PLACED ON THE TOP SURFACE OF THE PACKAGE BY USING INDENTATION MARK OR OTHER FEATURE OF PACKAGE BODY. EXACT SHAPE AND SIZE OF THIS FEATURE IS OPTIONAL.
4. PACKAGE WARPAGE MAX 0.08 mm, APPLIED FOR EXPOSED PAD AND TERMINALS. EXCLUDE EMBEDDING PART OF EXPOSED PAD.
5. PACKAGE CODE: F234A5F+1F

CONTROLLING DIMENSION : MM

| SYMBOL | MILLIMETER | | |
|--------|------------|-------|-------|
| | MIN. | NOM. | MAX. |
| A | — | 0.75 | 0.800 |
| A1 | 0.000 | — | 0.050 |
| A2 | — | 0.530 | 0.580 |
| A3 | 0.203 | REF. | — |
| b | 0.200 | 0.250 | 0.300 |
| b1 | 0.250 | 0.300 | 0.350 |
| b2 | 0.225 | 0.275 | 0.325 |
| b3 | 0.375 | 0.425 | 0.475 |
| b4 | 0.425 | 0.475 | 0.525 |
| b5 | 0.350 | 0.400 | 0.450 |
| b6 | 0.325 | 0.375 | 0.425 |
| b7 | 0.450 | 0.500 | 0.550 |
| D | — | 5.750 | BSC |
| D2 | 0.750 | 0.850 | 0.950 |
| E | — | 4.500 | BSC |
| E2 | 0.550 | 0.650 | 0.750 |
| L | 0.400 | 0.500 | 0.600 |
| L1 | 0.725 | 0.825 | 0.925 |
| L2 | 0.600 | 0.700 | 0.800 |
| L3 | 0.525 | 0.625 | 0.725 |
| L4 | 0.700 | 0.800 | 0.900 |
| L5 | 0.625 | 0.725 | 0.825 |
| L6 | 0.550 | 0.650 | 0.750 |
| e | 0.500 | BSC | — |
| e1 | 0.688 | BSC | — |
| e2 | 0.588 | BSC | — |
| e3 | 0.675 | BSC | — |
| e4 | 1.350 | BSC | — |
| e5 | 1.438 | BSC | — |
| e6 | 0.538 | BSC | — |
| e7 | 1.263 | BSC | — |
| K1 | 0.225 | BSC | — |
| K2 | 0.588 | BSC | — |
| K3 | 0.350 | BSC | — |
| K4 | 0.275 | BSC | — |
| K5 | 0.413 | BSC | — |
| K6 | 0.450 | BSC | — |
| K7 | 0.250 | BSC | — |
| K8 | 0.538 | BSC | — |

| TOLERANCES OF FORM AND POSITION | |
|---------------------------------|-------|
| aaa | 0.150 |
| bbb | 0.100 |
| ccc | 0.100 |
| ddd | 0.050 |
| eee | 0.080 |
| fff | 0.100 |



TITLE:
PACKAGE OUTLINE, 23L, FC2QFN
5.75X4.5X0.75 MM

APPROVAL
ZHEN LI

DOCUMENT CONTROL NO.
21-100606

REV. B 1/1

-DRAWING NOT TO SCALE-