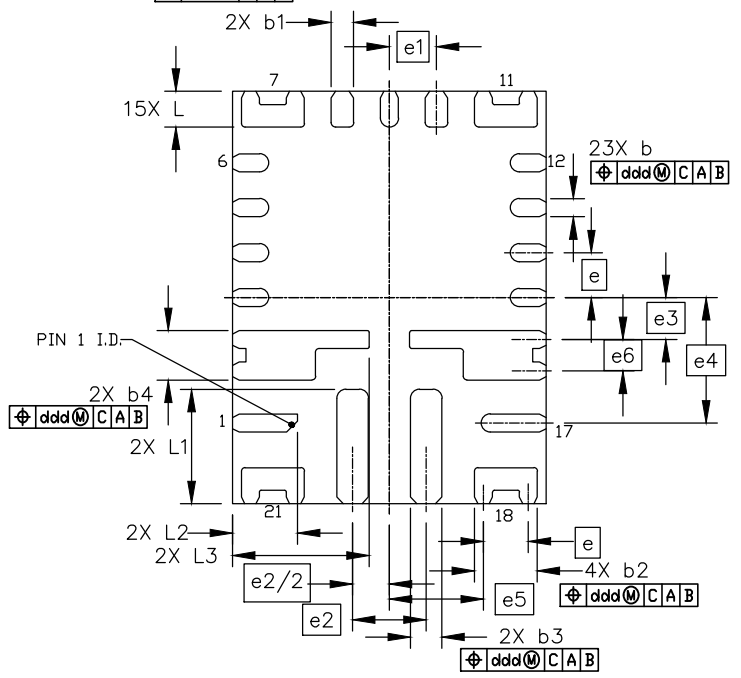


TOP VIEW



BOTTOM VIEW

	SYMBOL	MIN	NOM	MAX
TOTAL THICKNESS	A	0.65	0.7	0.75
STAND OFF	A1	0	0.035	0.05
MOLD THICKNESS	A2	---	0.55	---
L/F THICKNESS	A3	0.152 REF		
LEAD WIDTH	b	0.15	0.2	0.25
	b1	0.2	0.25	0.3
	b2	0.65	0.7	0.75
	b3	0.3	0.35	0.4
	b4	0.5	0.55	0.6
BODY SIZE	X	3.5 BSC		
	Y	4.6 BSC		
LEAD PITCH	e	0.5 BSC		
	e1	0.525 BSC		
	e2	0.82 BSC		
	e3	0.47 BSC		
	e4	1.4 BSC		
	e5	1.05 BSC		
LEAD LENGTH	L	0.3	0.4	0.5
	L1	1.175	1.275	1.375
	L2	0.625	0.725	0.825
	L3	1.425	1.525	1.625
PACKAGE EDGE TOLERANCE	aaa	0.1		
MOLD FLATNESS	bbb	0.1		
COPLANARITY	ccc	0.08		
LEAD OFFSET	ddd	0.1		

NOTES:

1. ALL DIMENSIONS ARE IN MILLIMETERS UNLESS OTHERWISE SPECIFIED.
2. DIMENSIONING & TOLERANCING CONFORM TO ASME Y14.5M-1994.
3. N IS THE TOTAL NUMBER OF TERMINALS.
4. THE TERMINAL #1 IDENTIFIER AND TERMINAL NUMBERING CONVENTION SHALL CONFORM TO JESD 95-1 SPP-012. DETAILS OF TERMINAL #1 IDENTIFIER ARE OPTIONAL, BUT MUST BE LOCATED WITHIN THE ZONE INDICATED. THE TERMINAL #1 IDENTIFIER MAY BE EITHER A MOLD OR MARKED FEATURE.
5. COPLANARITY APPLIES TO TERMINALS AND ALL OTHER BOTTOM SURFACE METALLIZATIONS.
6. DIMENSION b APPLIES TO METALLIZED TERMINAL AND IS MEASURED BETWEEN 0.25 mm AND 0.30 mm FROM TERMINAL TIP. IF THE TERMINAL HAS THE OPTIONAL RADIUS ON THE OTHER END OF THE TERMINAL, THE DIMENSION SHOULD NOT BE MEASURED IN THAT RADIUS AREA.
7. MARKING IS FOR PACKAGE ORIENTATION REFERENCE ONLY.
8. MATERIAL MUST BE COMPLIANT WITH MAXIM SPECIFICATION 10-0131 FOR SUBSTANCE CONTENT, MUST BE Eu ROHS COMPLIANT WITHOUT EXEMPTION AND PB-FREE.
9. ALL DIMENSIONS APPLY TO PbFREE (+) PKG. CODES.
10. PKG CODE: F213A4F+2



TITLE:
PACKAGE OUTLINE, 21L, FC2QFN PKG
3.5x4.6x0.7mm

APPROVAL JIE MAD	DOCUMENT CONTROL NO. 21-100513	REV. A	1/1
---------------------	-----------------------------------	-----------	-----

-DRAWING NOT TO SCALE-