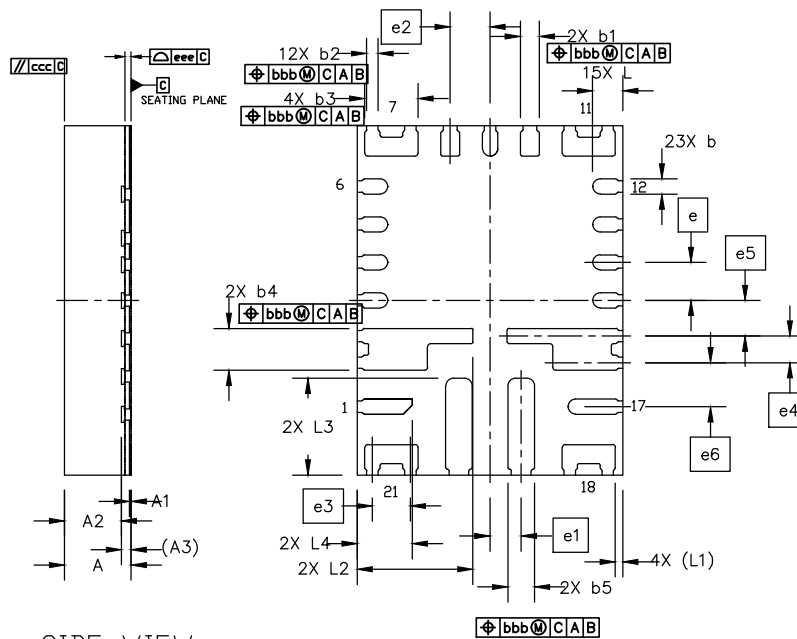


TOP VIEW



SIDE VIEW

BOTTOM VIEW

NOTES:

1. ALL DIMENSIONS ARE IN MILLIMETERS UNLESS OTHERWISE SPECIFIED.
2. DIMENSIONING & TOLERANCING CONFORM TO ASME Y14.5M-1994.
3. N IS THE TOTAL NUMBER OF TERMINALS.
4. THE TERMINAL #1 IDENTIFIER AND TERMINAL NUMBERING CONVENTION SHALL CONFORM TO JESD 95-1 SPP-012. DETAILS OF TERMINAL #1 IDENTIFIER ARE OPTIONAL, BUT MUST BE LOCATED WITHIN THE ZONE INDICATED. THE TERMINAL #1 IDENTIFIER MAY BE EITHER A MOLD OR MARKED FEATURE.
5. COPLANARITY APPLIES TO TERMINALS AND ALL OTHER BOTTOM SURFACE METALLIZATIONS.
6. MARKING IS FOR PACKAGE ORIENTATION REFERENCE ONLY.
7. MATERIAL MUST BE COMPLIANT WITH MAXIM SPECIFICATION 10-0131 FOR SUBSTANCE CONTENT, MUST BE Eu ROHS COMPLIANT WITHOUT EXEMPTION AND PB-FREE.
8. ALL DIMENSIONS APPLY TO PbFREE (+) PKG. CODES.
9. PKG CODE: F213A4F+1

	SYMBOL	MIN	NOM	MAX
TOTAL THICKNESS	A	0.827	0.877	0.927
STAND OFF	A1	-0.004	---	0.046
MDLD THICKNESS	A2	---	0.75	---
L/F THICKNESS	A3	0.127 REF		
LEAD WIDTH	b	0.15	0.2	0.25
	b1	0.2	0.25	0.3
	b2	0.1	0.15	0.2
	b3	0.65	0.7	0.75
	b4	0.5	0.55	0.6
BODY SIZE	X	D 3.5 BSC		
	Y	E 4.6 BSC		
LEAD PITCH	e	0.5 BSC		
	e3	0.5 BSC		
	e4	0.35 BSC		
	e5	0.47 BSC		
LEAD TO PKG CENTER	e1	0.41 BSC		
	e2	0.525 BSC		
LEAD LENGTH	L	0.3	0.4	0.5
	L2	1.43	1.525	1.63
	L3	1.18	1.275	1.38
LEAD TO PKG EDGE	L4	0.63	0.725	0.83
LEAD TO PKG CENTER	L1	0	0.1	0.2
PACKAGE EDGE TOLERANCE	aaa	0.1		
MDLD FLATNESS	ccc	0.1		
COPLANARITY	eee	0.08		
LEAD OFFSET	bbb	0.1		
NUMBER OF LEADS	N	21		



TITLE:  
PACKAGE OUTLINE, 21L, FC2QFN PKG  
3.5x4.6mm

APPROVAL JIE MAD	DOCUMENT CONTROL NO. 21-100394	REV. C	1/1
---------------------	-----------------------------------	-----------	-----

-DRAWING NOT TO SCALE-