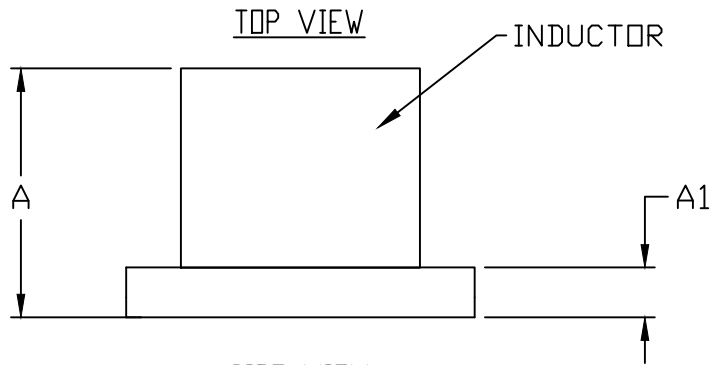


TOP VIEW

BOTTOM VIEW



SIDE VIEW

-DRAWING NOT TO SCALE-



TITLE:
PACKAGE OUTLINE, 12L eMGA,
3.5x3.5x2.5 mm

APPROVAL
LANBING LIU

DOCUMENT CONTROL NO.
21-100356

REV. H 1/2

SYMBOL	12L 3.5x3.5			NOTE
	MIN.	NOM.	MAX.	
A	2.25	2.50	2.75	
A1	0.422	0.497	0.572	
b1	0.20	0.25	0.30	
c	0.05	0.10	0.15	
D	3.40	3.50	3.60	
D2	2.35	2.40	2.45	
E	3.40	3.50	3.60	
E2	2.05	2.10	2.15	
Ⓢ	0.50 BSC			
F	2.40 REF			
G	2.40 REF			
L1	0.30	0.35	0.40	
N	12			2

NOTES:

1. ALL DIMENSIONS ARE IN MILLIMETERS.
2. "N" IS THE TOTAL NUMBER OF TERMINALS.
3. ALL DIMENSIONS AND TOLERANCES CONFORM TO ANSI Y14.5M-1994.
4. MATERIAL MUST COMPLY WITH BANNED AND RESTRICTED SUBSTANCES SPEC #10-0131.
5. ALL DIMENSIONS APPLY TO PbFREE (+) PKG. CODE ONLY.
6. PACKAGE CODE: M123A3+2, M123A3+3

-DRAWING NOT TO SCALE-



TITLE:
PACKAGE OUTLINE, 12L eMGA,
3.5x3.5x2.5 mm

APPROVAL
LANBING LIU

DOCUMENT CONTROL NO.
21-100356

REV. H 2/2