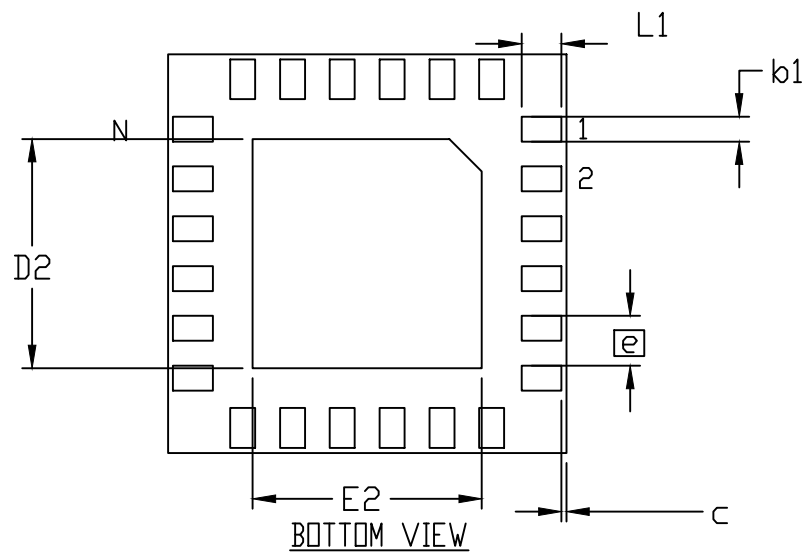
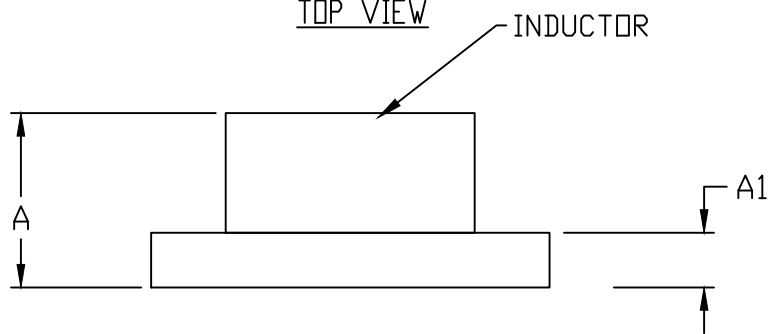


TOP VIEW



BOTTOM VIEW



SIDE VIEW

-DRAWING NOT TO SCALE-



TITLE:
PACKAGE OUTLINE, 24L eMGA,
4x4x1.55mm

APPROVAL
TANYE TANG

DOCUMENT CONTROL NO.
21-100342

REV. 1/2
D

SYMBOL	24L 4x4			NOTE
	MIN.	NOM.	MAX.	
A	1.30	1.55	1.80	
A1	0.25	0.41	0.57	
b1	0.20	0.25	0.30	
c	0.00	0.05	0.10	
D	3.90	4.00	4.10	
D2	2.25	2.30	2.35	
E	3.90	4.00	4.10	
E2	2.25	2.30	2.35	
ⓔ	0.50 BSC			
F	3.20 REF			
G	2.50 REF			
L1	0.35	0.40	0.45	
N	24			2

NOTES:

1. ALL DIMENSIONS ARE IN MILLIMETERS.
2. "N" IS THE TOTAL NUMBER OF TERMINALS.
3. ALL DIMENSIONS AND TOLERANCES CONFORM TO ANSI Y14.5M-1994.
4. MATERIAL MUST COMPLY WITH BANNED AND RESTRICTED SUBSTANCES SPEC #10-0131.
5. ALL DIMENSIONS APPLY TO PbFREE (+) PKG. CODE ONLY.
6. PACKAGE CODE: M244A4+1
7. REFER TO 73-100014 FOR PACKAGE DRAWING FOR INTERNAL HARDWARE TOOLING



TITLE:
PACKAGE OUTLINE, 24L eMGA,
4x4x1.55mm

APPROVAL
TANYE TANG

DOCUMENT CONTROL NO.
21-100342

REV. D 2/2

-DRAWING NOT TO SCALE-