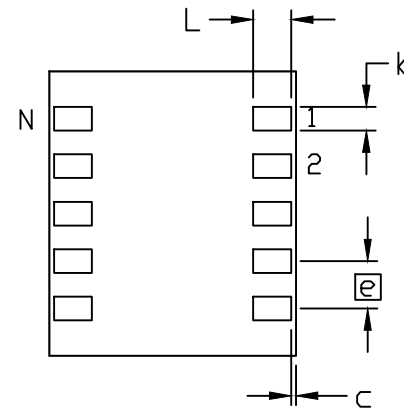
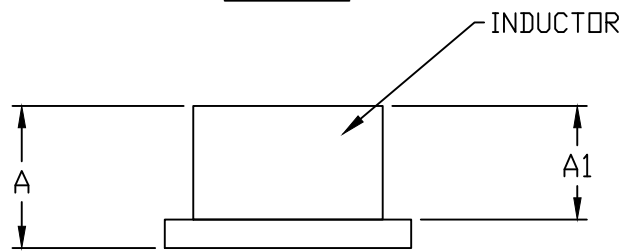


TOP VIEW



BOTTOM VIEW



SIDE VIEW




TITLE:
PACKAGE OUTLINE, 10L eMGA,
2.6x3.0x1.5mm

APPROVAL
TANYE TANG

DOCUMENT CONTROL NO.
21-100094

REV. H 1/2

-DRAWING NOT TO SCALE-

SYMBOL	10L 2.6x3			NOTE
	MIN.	NOM.	MAX.	
A	1.35	1.50	1.65	
A1			1.20	
b	0.20	0.25	0.30	
c	0.00	0.05	0.10	
D	2.95	3.00	3.05	
E	2.55	2.60	2.65	
	0.50 BSC			
F	2.30	2.50	2.70	
G	1.80	2.00	2.20	
L	0.35	0.40	0.45	
N	10			2

NOTES:

1. ALL DIMENSIONS ARE IN MILLIMETERS.
2. "N" IS THE TOTAL NUMBER OF TERMINALS.
3. ALL DIMENSIONS AND TOLERANCES CONFORM TO ANSI Y14.5M-1994.
4. MATERIAL MUST COMPLY WITH BANNED AND RESTRICTED SUBSTANCES SPEC #10-0131.
5. ALL DIMENSIONS APPLY TO PbfREE (+) PKG. CODE ONLY.
6. PACKAGE CODE: M102A3+1 M102A3+2 M102A3+3

-DRAWING NOT TO SCALE-



TITLE:
PACKAGE OUTLINE, 10L eMGA,
2.6x3.0x1.5mm

APPROVAL
TANYE TANG

DOCUMENT CONTROL NO.
21-100094

REV. H 2/2