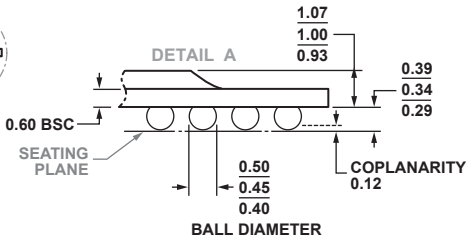
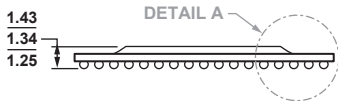
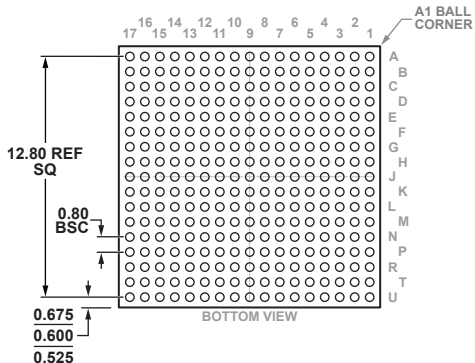
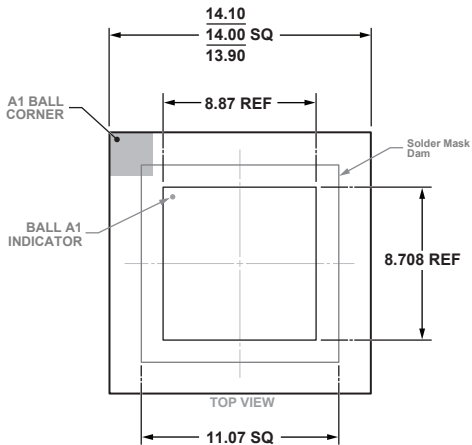


**289-Ball Chip Scale Package Ball Grid Array [CSP_BGA]
(BC-289-6)**

Dimensions shown in millimeters



COMPLIANT TO JEDEC STANDARDS MO-275-JJAB-1