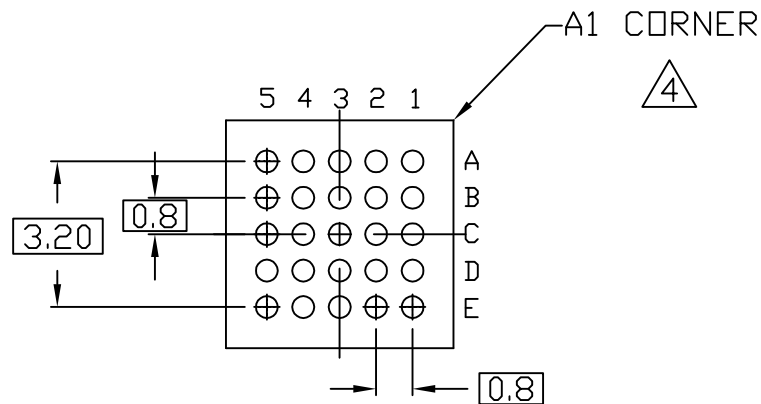
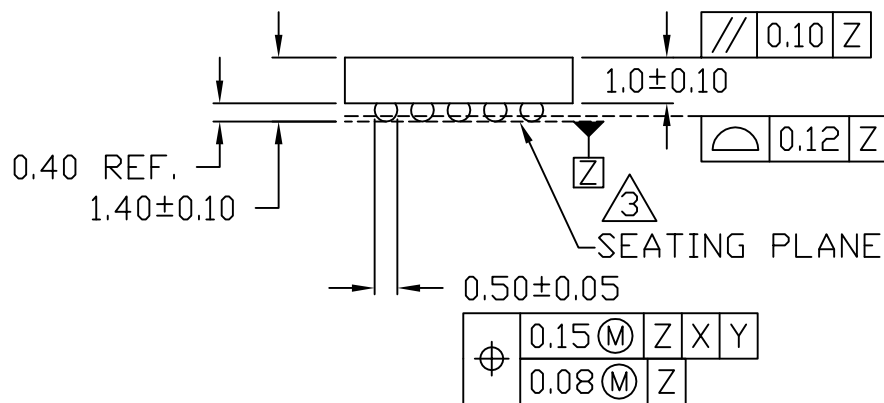


TOP VIEW



BOTTOM VIEW



SIDE VIEW

NOTES:

1. DIMENSIONS ARE IN MILLIMETERS.
2. MATERIAL MUST COMPLY WITH BANNED AND RESTRICTED SUBSTANCES SPEC # 10-0131.
- ③ PRIMARY DATUM Z AND SEATING PLANE ARE DEFINED BY THE SPHERICAL CROWNS OF THE SOLDER BALLS.
- ④ A1 CORNER OF THE SUBSTRATE MUST BE IDENTIFIED BY METALLIZED MARKINGS.
5. COMPLIANT TO JEDEC OUTLINE MD-205, NO EXACT VARIATION.
6. ALL DIMENSIONS APPLY TO BOTH LEADED (-) AND PbFREE (+) PKG. CODES.
7. PACKAGE CODES: X25-1, X25-2, X25-3



TITLE:
PACKAGE OUTLINE, 25 BALLS CSBGA,
5x5x1.0mm, 0.80 mm PITCH

APPROVAL
EDEN CHEN
08/24/10

DOCUMENT CONTROL NO.
21-0361

REV. 1/1
B

-DRAWING NOT TO SCALE-