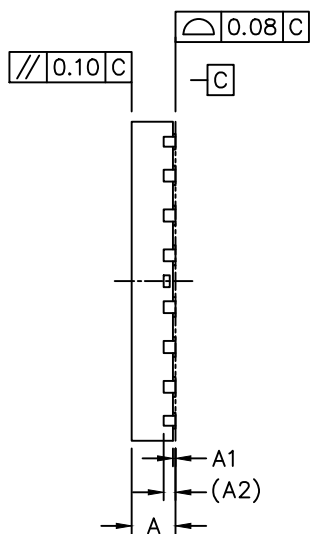
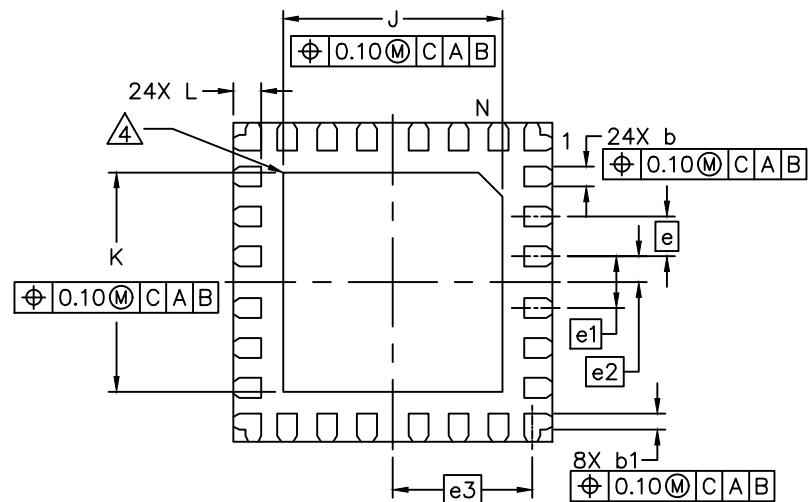


TOP VIEW



SIDE VIEW



BOTTOM VIEW

NOTES:

1. ALL DIMENSION AND TOLERANCE CONFORM TO ASME Y14.5M-1994.
2. ALL DIMENSION ARE IN MILLIMETERS UNLESS OTHERWISE SPECIFIED.
3. N IS THE TOTAL NUMBER OF TERMINALS.
4. BILATERAL COPLANARITY ZONE APPLIES TO THE EXPOSED PAD AS WELL AS THE TERMINALS.
5. ALL DIMENSION APPLY TO BOTH LEADED (-) AND PbFREE (+) PKG. CODES.
6. DRAWING CONFORMS TO JEDEC MO-220.
7. CONTROLLING DIMENSION: mm.
8. PKG. CODE: CP2844-2 and CP2844-2C.

COMMON DIMENSIONS			
DIM	MIN.	NOM.	MAX.
A	0.50	0.55	0.60
A1	0	0.035	0.05
A2	0.152 REF		
b	0.20	0.25	0.30
b1	0.15	0.20	0.25
e	0.50 BSC		
e1	0.65 BSC		
e2	0.325 BSC		
e3	1.75 BSC		
D	4.00 BSC		
E	4.00 BSC		
J	2.65	2.75	2.85
K	2.65	2.75	2.85
L	0.30	0.35	0.40
N	28		

-DRAWING NOT TO SCALE-



TITLE:
PACKAGE OUTLINE, 28L CPQFN
4X4X0.55 MM

APPROVAL
CHUCK XIA

DOCUMENT CONTROL NO.
21-100470

REV. A 1/1