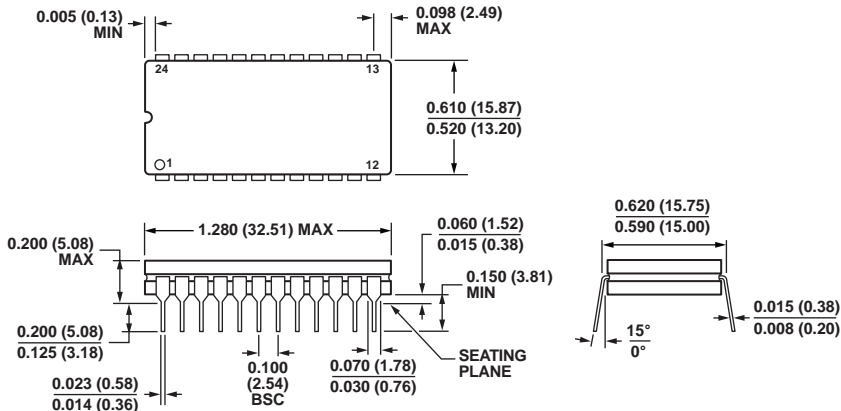


**24-Lead Ceramic Dual In-Line Package [CERDIP]**

**Wide Body**

**(Q-24-2)**

**Dimensions shown in inches and (millimeters)**



**CONTROLLING DIMENSIONS ARE IN INCHES; MILLIMETER DIMENSIONS (IN PARENTHESES) ARE ROUNDED-OFF INCH EQUIVALENTS FOR REFERENCE ONLY AND ARE NOT APPROPRIATE FOR USE IN DESIGN.**