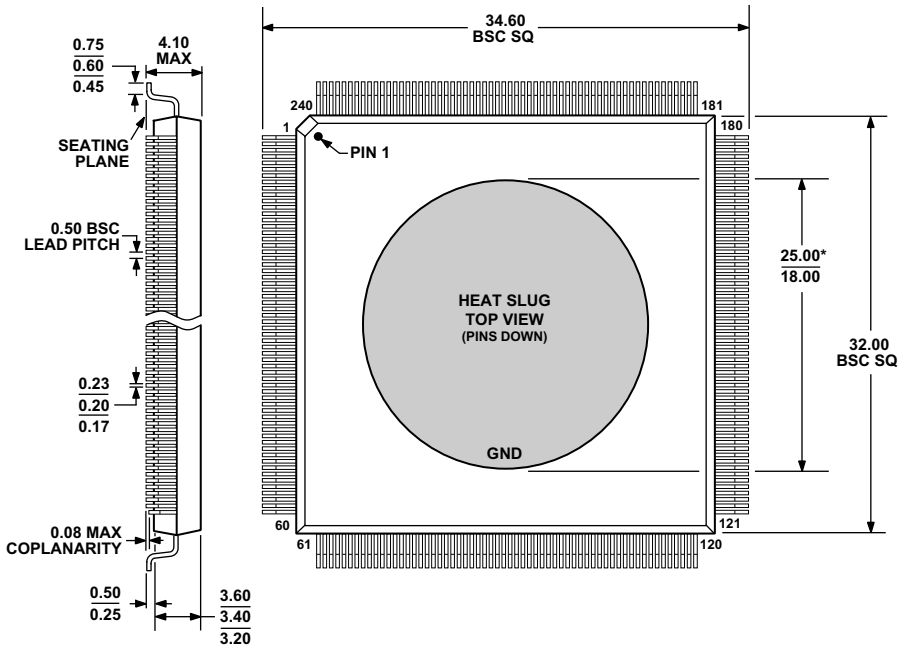


**240-Lead Metric Quad Flat Package, Thermally Enhanced [MQFP_ED]
(SP-240-1)**

Dimensions shown in millimeters



***COMPLIANT WITH JEDEC STANDARDS MS-029GA
EXCEPT FOR HEATSLUG DIMENSIONS**