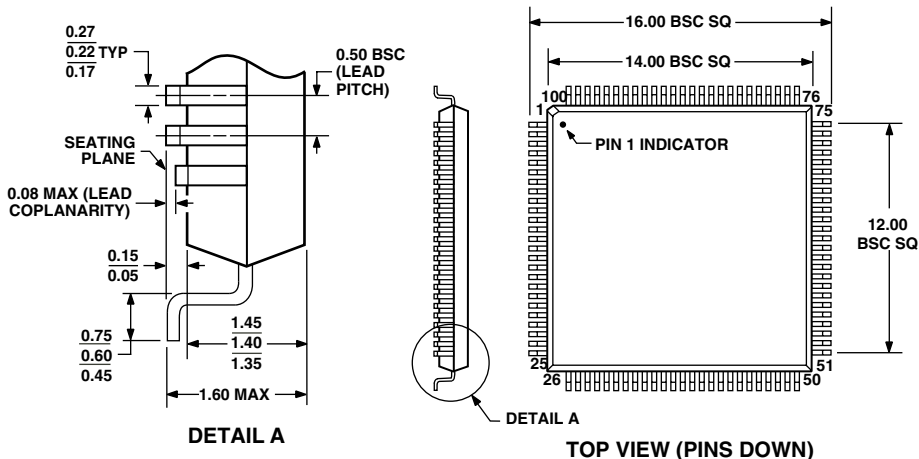


**100-Lead Low Profile Quad Flat Package [LQFP]
(ST-100-1)**



NOTES:

- DIMENSIONS ARE IN MILLIMETERS AND COMPLY WITH JEDEC STANDARD MS-026-BED.**
- ACTUAL POSITION OF EACH LEAD IS WITHIN 0.08 OF ITS IDEAL POSITION, WHEN MEASURED IN THE LATERAL DIRECTION.**
- CENTER DIMENSIONS ARE NOMINAL.**