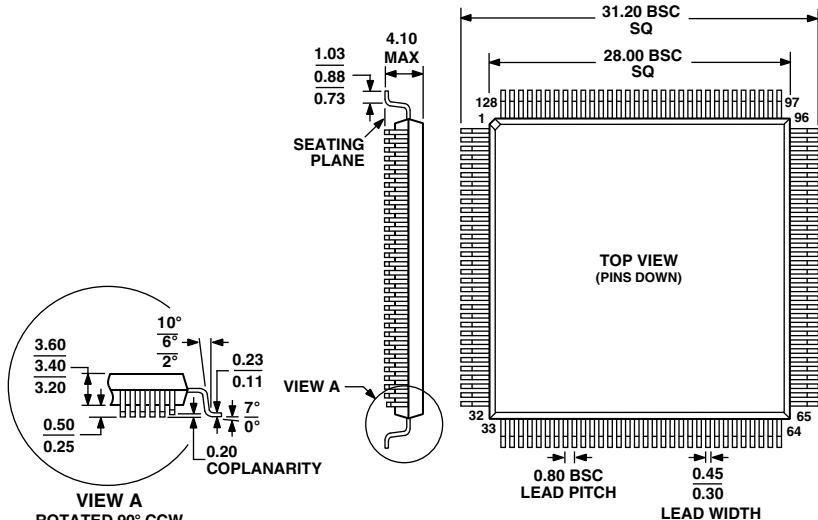


**128-Lead Metric Quad Flat Package [MQFP]
(S-128-2)**

Dimensions shown in millimeters



COMPLIANT TO JEDEC STANDARDS MS-022-DB-1