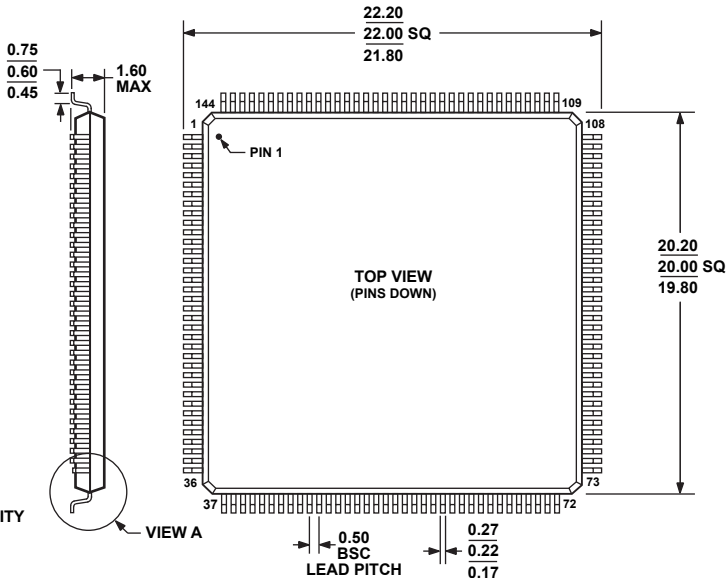


**144-Lead Low Profile Quad Flat Package [LQFP]  
(ST-144)**

Dimensions shown in millimeters



COMPLIANT TO JEDEC STANDARDS MS-026-BFB