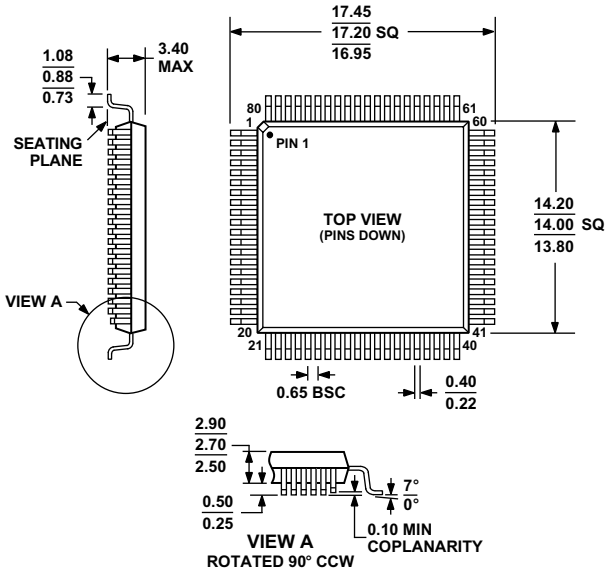


**80-Lead Metric Quad Flat Package [MQFP]  
(S-80)**

Dimensions shown in millimeters



**COMPLIANT TO JEDEC STANDARDS MO-108-BF-1**