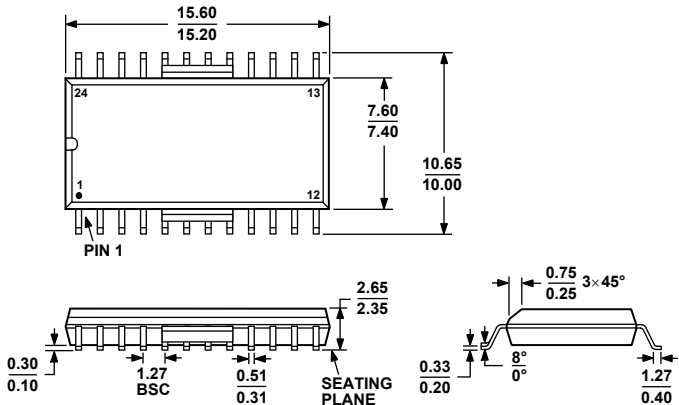


# 24-Lead Batwing SOIC, Thermally Enhanced w/Fused Leads [SOIC/W/BAT] (RB-24)

Dimensions shown in millimeters



COMPLIANT WITH JEDEC STANDARDS MS-013-AD