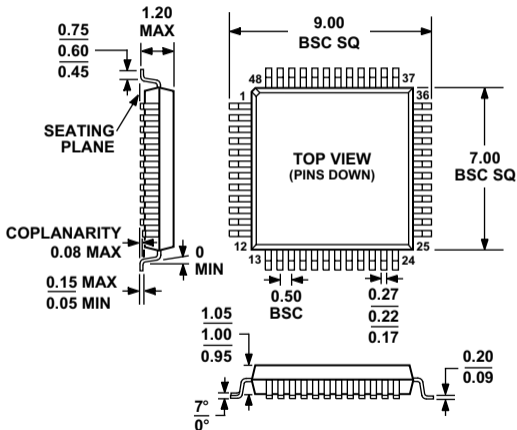


**48-Lead Thin Plastic Quad Flat Package [TQFP]
(SU-48)**

Dimensions shown in millimeters



COMPLIANT TO JEDEC STANDARDS MS-026ABC