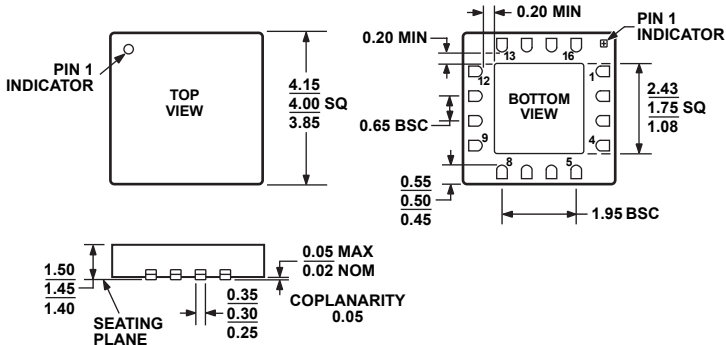


**16-Lead Lead Frame Chip Scale Package [LFCSP\_LQ]  
4 x 4 mm Body, Thick Quad  
(CP-16-5a\*)**

Dimensions shown in millimeters



\*STACKED DIE WITH GLASS SEAL.