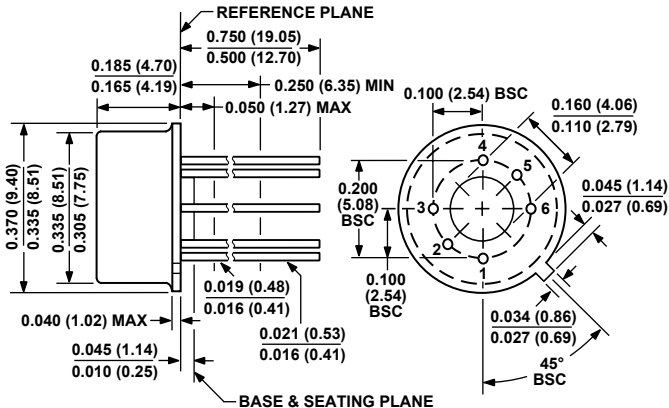


**6-Pin Metal Header Package [TO-78]**
**(H-6)**
**Dimensions shown in inches and (millimeters)**


**CONTROLLING DIMENSIONS ARE IN INCHES; MILLIMETER DIMENSIONS (IN PARENTHESES) ARE ROUNDED-OFF INCH EQUIVALENTS FOR REFERENCE ONLY AND ARE NOT APPROPRIATE FOR USE IN DESIGN.**