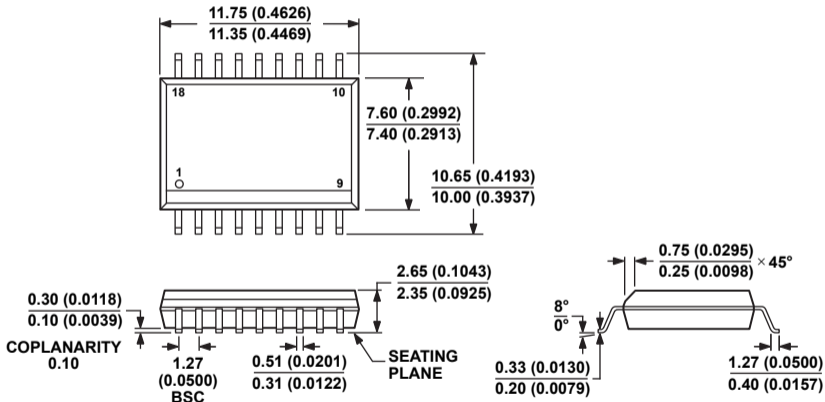


**18-Lead Standard Small Outline Package [SOIC\_W]  
Wide Body  
(RW-18)**

Dimensions shown in millimeters and (inches)



**COMPLIANT TO JEDEC STANDARDS MS-013-AB  
CONTROLLING DIMENSIONS ARE IN MILLIMETERS; INCH DIMENSIONS  
(IN PARENTHESES) ARE ROUNDED-OFF MILLIMETER EQUIVALENTS FOR  
REFERENCE ONLY AND ARE NOT APPROPRIATE FOR USE IN DESIGN.**