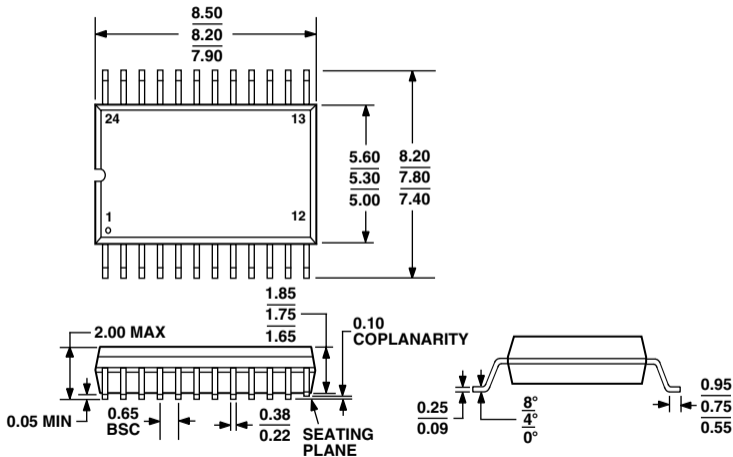


**24-Lead Shrink Small Outline Package [SSOP]  
(RS-24)**

Dimensions shown in millimeters



COMPLIANT TO JEDEC STANDARDS MO-150AG