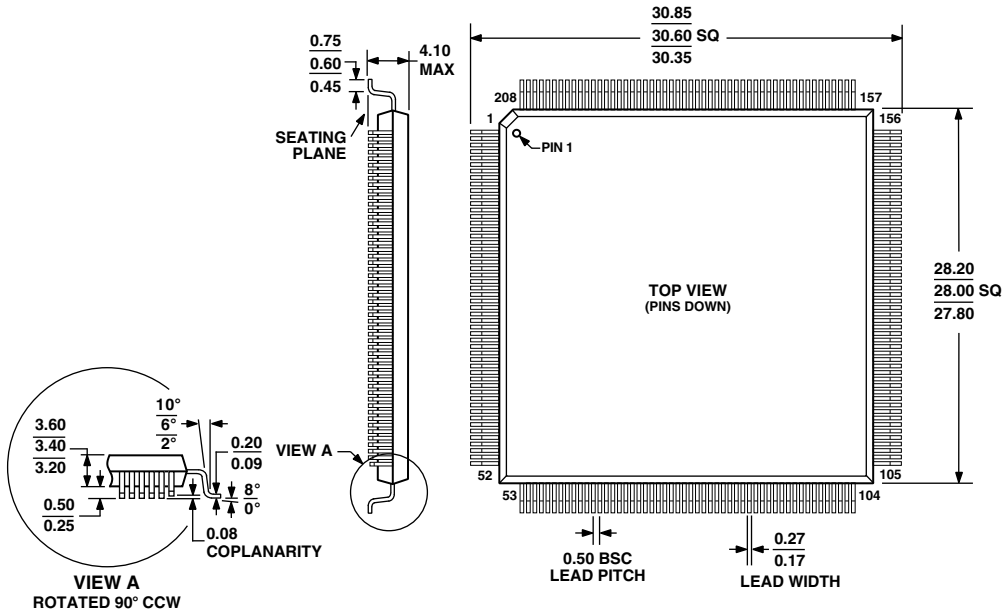


**208-Lead Metric Quad Flat Package [MQFP]
(S-208-2)
Dimensions shown in millimeters**



COMPLIANT TO JEDEC STANDARDS MS-029-FA-1