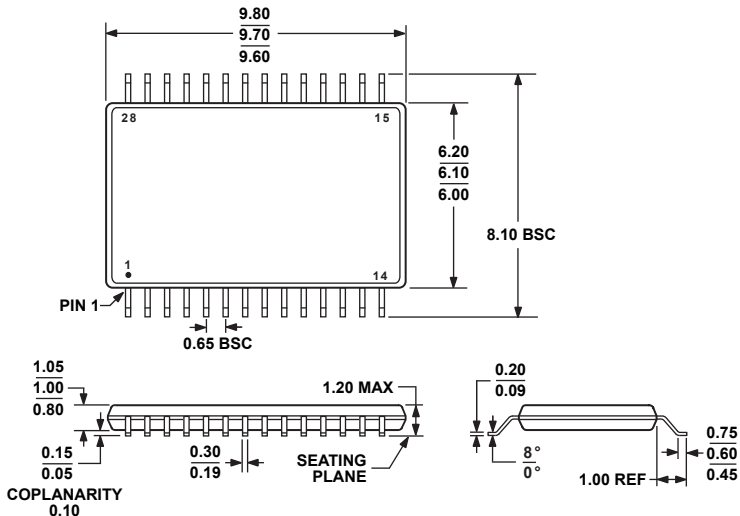


**28-Lead Thin Shrink Small Outline Package [TSSOP_6.1]
(RV-28)**

Dimensions shown in millimeters



COMPLIANT TO JEDEC STANDARDS MO-153-DB