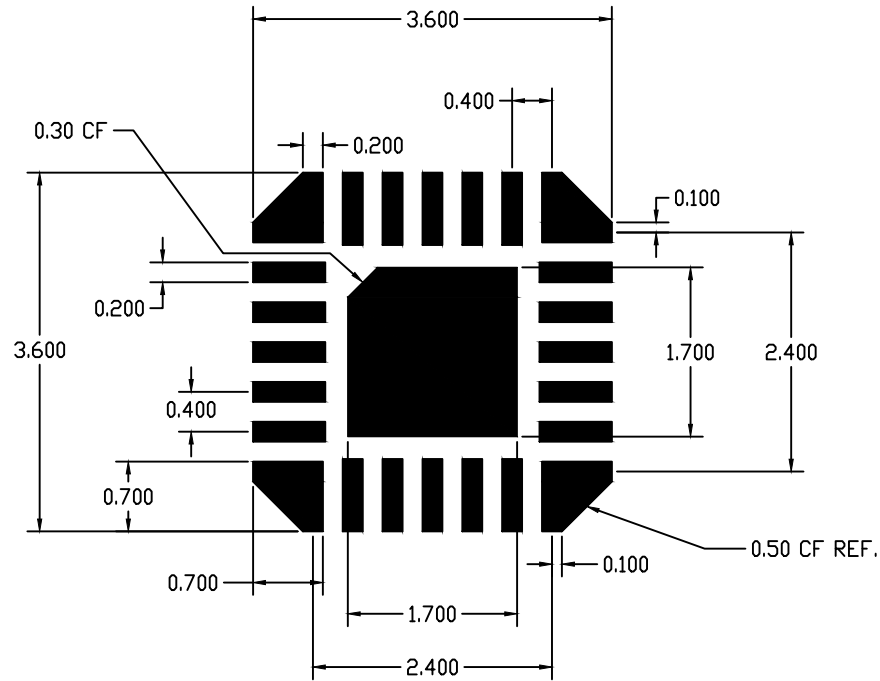
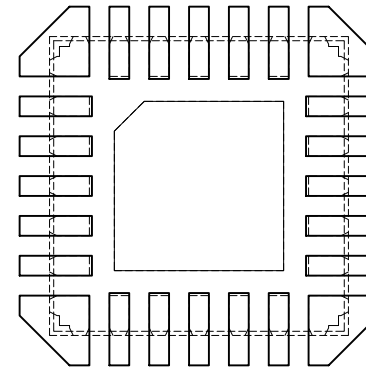


## RECOMMENDED LAND PATTERN



## PACKAGE OVERLAY



### NOTES:

1. REFERENCE PKG. OUTLINE: 21-100350
2. LAND PATTERN COMPLIES TO: IPC7351A.
3. TOLERANCE: +/- 0.02 MM.
4. ALL DIMENSIONS APPLY TO PbFREE (+) PKG. CODE ONLY.
5. ALL DIMENSIONS IN MM.

—DRAWING NOT TO SCALE—



This document (including dimensions, notes & specs) is a recommendation based on typical circuit board manufacturing parameters. Since land pattern design depends on many factors unknown to Maxim (eg. user's board manufacturing specs), user must determine suitability for use. This document is subject to change without notice. Contact technical support at <http://www.maxim-ic.com/support> for further questions.

TITLE:  
PACKAGE LAND PATTERN,  
[T2433Y-2C] TQFN

APPROVAL

DOCUMENT CONTROL NO.  
90-100118

REV. 1/1  
A