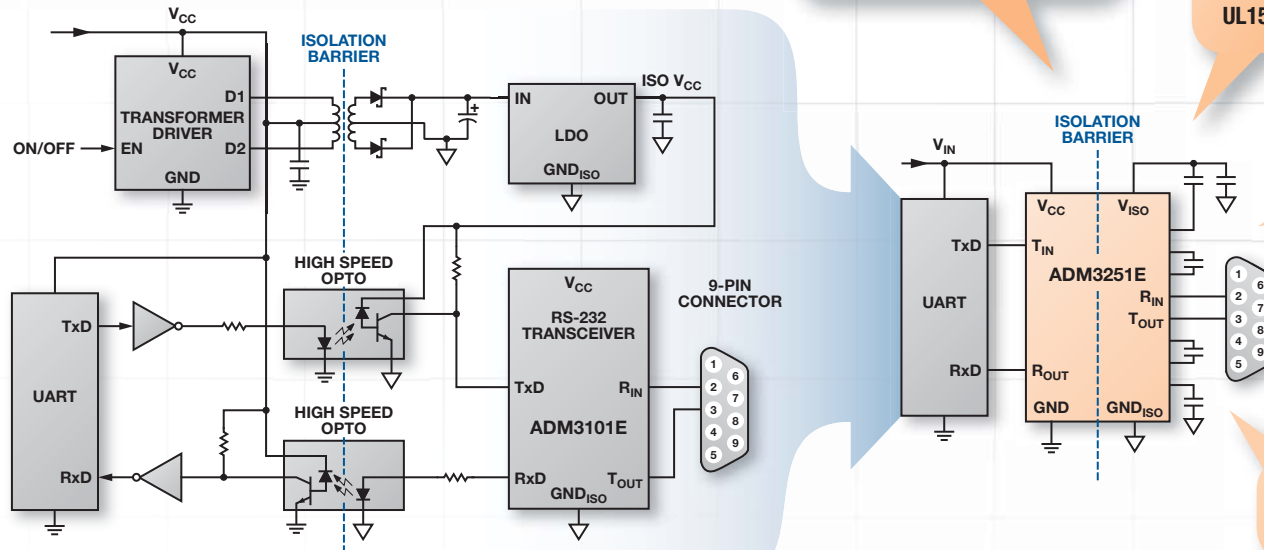


RS-232 Products

Summer 2008

Contents

- Isolated RS-232..... 1
- 15 kV ESD Protected RS-232..... 2
- Standard ESD RS-232..... 3
- RS-232: Transceivers
Cross-Reference Guide 4



OLD METHOD

NEW METHOD

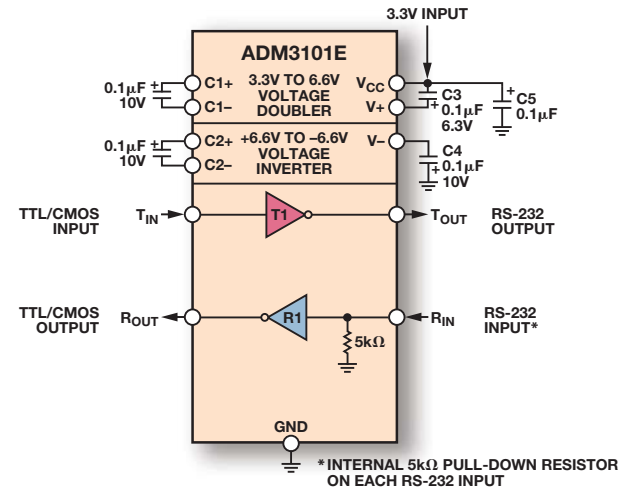
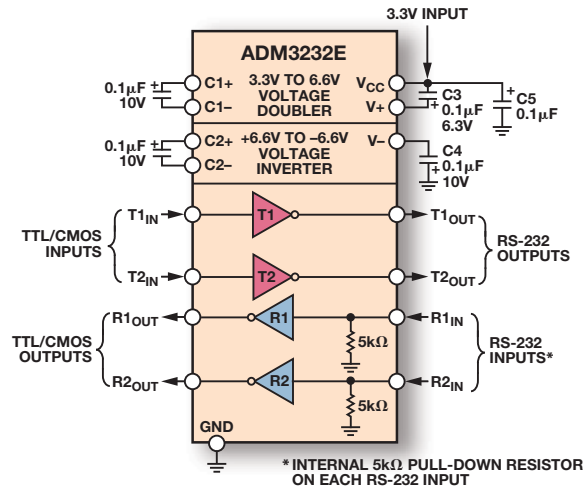
ADM3251E: Isolated Single-Channel RS-232 Line Driver/Receiver



RS-232: 15 kV ESD Protected

Part Number	Min Power Supply Voltage (V)	Data Rate (kbps)	Number of Tx	Number of Rx	ESD Protection (kV)	Low Power Shutdown	Number of Rx Active in Shutdown	Number of Capacitors	Capacitor Size (μF)	Available Packages	Price (\$U.S.) ¹
ADM3307E	2.7	1 Mbps	5	3	15	Yes	1	5	0.1	28-lead TSSOP, 32-lead LFCSP	1.45
ADM3310E	2.7	460	3	5	15	Yes	2	5	0.1	28-lead TSSOP, 32-lead LFCSP	1.50
ADM3311E	2.7	460	3	5	15	Yes	1	5	0.1	28-lead SSOP, 28-lead TSSOP, 32-lead LFCSP	1.70
ADM3312E	2.7	460	3	3	15	Yes	1	5	0.1	24-lead TSSOP, 32-lead LFCSP	1.45
ADM3315E	2.7	460	3	3	15	Yes	1	5	0.1	22-lead TSSOP, 32-lead LFCSP	1.50
ADM3101E	3.3	460	1	1	15	No	—	4	0.1	12-lead LFCSP, 16-Lead QSOP	0.88
ADM3202	3.3	460	2	2	15	No	—	4	0.1	16-lead PDIP, 16-lead SOIC_N, 16-lead SOIC_W, 16-lead TSSOP	1.35
ADM3232E	3.3	460	2	2	15	No	—	4	0.1	16-lead SOIC_N, 16-lead TSSOP	1.35
ADM101E	5	460	1	1	15	Yes	1	2	0.1	10-lead MSOP	0.77
ADM202E	5	230	2	2	15	No	—	4	0.1	16-lead PDIP, 16-lead SOIC_N, 16-lead SOIC_W, 16-lead TSSOP	1.46
ADM206E	5	230	4	3	15	Yes	0	4	0.1	24-lead SOIC_W	2.20
ADM207E	5	230	5	3	15	No	—	4	0.1	24-lead PDIP, 24-lead SOIC_W, 24-lead SSOP, 24-lead TSSOP	2.29
ADM208E	5	230	4	4	15	No	—	4	0.1	24-lead PDIP, 24-lead SOIC_W, 24-lead SSOP, 24-lead TSSOP	2.20
ADM211E	5	230	4	5	15	Yes	0	4	0.1	28-lead SOIC_W, 28-lead SSOP, 28-lead TSSOP	2.29
ADM213E	5	230	4	5	15	Yes	2	4	0.1	28-lead SOIC_W, 28-lead SSOP, 28-lead TSSOP	2.29
ADM1181A	5	230	2	2	15	No	—	4	0.1	16-lead PDIP, 16-lead SOIC_W	1.40
ADM2209E	3.3 and 12	920	6	10	15	Yes	2	2	0.1	38-lead TSSOP	2.75

¹1000 to 4999

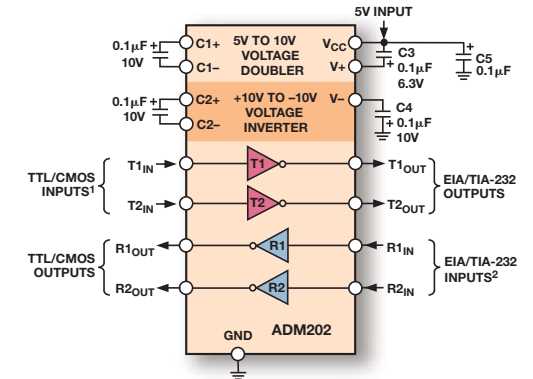




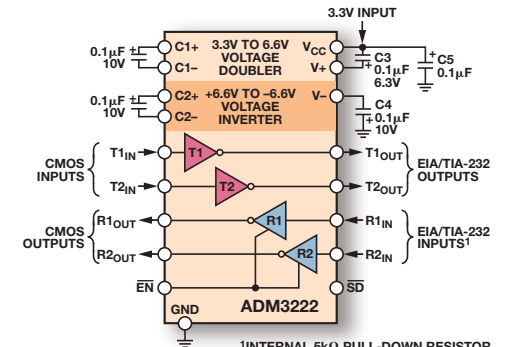
RS-232: Standard ESD

Part Number	Min Power Supply Voltage (V)	Data Rate (kbps)	No. of Tx	No. of Rx	Low Power Shutdown	Number of Rx Active in Shutdown	Number of Capacitors	Capacitor Size (μF)	Available Packages	Price (\$U.S.) ¹
ADM560	3.3	116	4	5	Yes	2	4	1	28-lead SOIC_W, 28-lead SSOP	2.38
ADM561	3.3	116	4	5	Yes	0	4	1	28-lead SOIC_W, 28-lead SSOP	2.38
ADM1385	3.3	460	2	2	Yes	2	4	0.1	20-lead SSOP	1.40
ADM3222	3.3	460	2	2	Yes	2	4	0.1	18-lead PDIP, 20-lead SSOP, 18-lead SOIC_W, 20-lead TSSOP	1.35
AD7306	5	5 Mbps	3	2	No	—	4	0.1	24-lead DIP, 24-lead SOIC_W	7.70
ADM202	5	120	2	2	No	—	4	0.1	16-lead PDIP, 16-lead SOIC_N, 16-lead SOIC_W	1.25
ADM203	5	120	2	2	No	—	0	—	20-lead PDIP	2.76
ADM206	5	120	4	3	Yes	0	4	0.1	24-lead DIP, 24-lead SOIC_W, 24-lead SSOP	2.28
ADM207	5	120	5	3	No	—	4	0.1	24-lead DIP, 24-lead SOIC_W, 24-lead SSOP	2.37
ADM208	5	120	4	4	No	—	4	0.1	24-lead DIP, 24-lead SOIC_W, 24-lead SSOP	2.37
ADM211	5	120	4	5	Yes	0	4	0.1	28-lead SOIC_W, 28-lead SSOP	1.92
ADM213	5	120	4	5	Yes	2	4	0.1	28-lead SOIC_W, 28-lead SSOP	2.37
ADM222	5	200	2	2	Yes	0	4	0.1	18-lead PDIP, 18-lead SOIC_W	1.56
ADM232A	5	200	2	2	No	—	4	0.1	16-lead PDIP, 16-lead SOIC_N, 16-lead SOIC_W	1.56
ADM232L	5	120	2	2	No	—	4	1	16-lead PDIP, 16-lead SOIC_W	1.25
ADM233L	5	120	2	2	No	—	0	—	20-lead PDIP	2.76
ADM234L	5	120	4	0	No	—	4	1	16-lead PDIP, 16-lead SOIC_W	1.77
ADM236L	5	120	4	3	Yes	0	4	1	24-lead PDIP, 24-lead SOIC_W	2.28
ADM237L	5	120	5	3	No	—	4	1	24-lead PDIP, 24-lead SOIC_W	2.28
ADM238L	5	120	4	4	No	—	4	1	24-lead PDIP, 24-lead SOIC_W	2.37
ADM241L	5	120	4	5	Yes	0	4	1	28-lead SOIC_W, 28-lead SSOP	2.28
ADM242	5	200	2	2	Yes	2	4	0.1	18-lead PDIP, 18-lead SOIC_W	1.56
ADM5180	5	200	0	8	No	—	0	—	28-lead PDIP, 28-lead PLCC	2.72
ADM5170	± 10	116	8	0	Yes	0	0	—	28-lead PDIP, 28-lead PLCC	2.72
ADM209	5 and 12	120	3	5	No	—	2	0.1	24-lead DIP, 24-lead SOIC_W, 24-lead SSOP	2.50
ADM231L	5 and 12	120	2	2	No	—	2	1	14-lead PDIP, 16-lead SOIC_W	1.20
ADM239L	5 and 12	120	3	5	No	—	2	1	24-lead PDIP, 24-lead SOIC_W	2.28

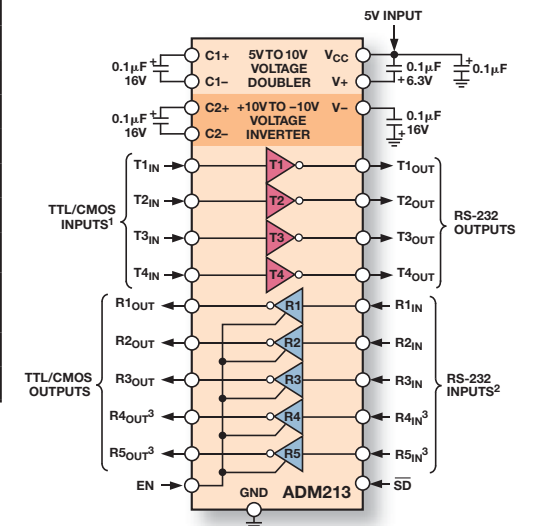
¹1000 to 4999



¹INTERNAL 400k Ω PULL-DOWN RESISTOR ON EACH TTL/CMOS INPUT
²INTERNAL 5k Ω PULL-DOWN RESISTOR ON EACH RS-232 INPUT



¹INTERNAL 5k Ω PULL-DOWN RESISTOR ON EACH RS-232 INPUT



¹INTERNAL 400k Ω PULL-UP RESISTOR ON EACH TTL/CMOS INPUT
²INTERNAL 5k Ω PULL-DOWN RESISTOR ON EACH RS-232 INPUT
³ACTIVE IN SHUTDOWN



RS-232: Transceivers Cross-Reference Guide

Part Number	Min Power Supply (V)	Data Rate (kbps)	No. of Tx	No. of Rx	ESD Protection (kV)	Low Power Shutdown	Number of Rx Active in Shutdown	Number of Capacitors	Capacitor Size (μF)	Available Packages	Second Source
ADM3202	3.3	460	2	2	15	No	—	4	0.1	16-lead DIP, 16-lead SOIC_N, 16-lead SOIC_W, 16-lead TSSOP	MAX3232E
ADM3232E	3.3	460	2	2	15	No	—	4	0.1	16-lead SOIC_N, 16-lead SOIC_W, 16-lead TSSOP	MAX3232E
ADM202E	5	230	2	2	15	No	—	4	0.1	16-lead DIP, 16-lead SOIC_N, 16-lead SOIC_W, 16-lead TSSOP	MAX202E
ADM206E	5	230	4	3	15	Yes	0	4	0.1	24-lead SOIC_W	MAX206E
ADM207E	5	230	5	3	15	No	—	4	0.1	24-lead DIP, 24-lead SOIC_W, 24-lead SSOP, 24-lead TSSOP	MAX207E
ADM208E	5	230	4	4	15	No	—	4	0.1	24-lead DIP, 24-lead SOIC_W, 24-lead SSOP, 24-lead TSSOP	MAX208E
ADM211E	5	230	4	5	15	Yes	0	4	0.1	28-lead SOIC_W, 28-lead SSOP, 28-lead TSSOP	MAX211E
ADM213E	5	230	4	5	15	Yes	2	4	0.1	28-lead SOIC_W, 28-lead SSOP, 28-lead TSSOP	MAX213E
ADM1181A	5	230	2	2	15	No	—	4	0.1	16-lead DIP, 16-lead SOIC_W	LT1181A
ADM2209E	3.3 and 12	920	6	10	15	Yes	2	2	0.1	38-lead TSSOP	MAX3209E
ADM560	3.3	116	4	5	—	Yes	2	4	1	28-lead SOIC_W, 28-lead SSOP	MAX560
ADM561	3.3	116	4	5	—	Yes	0	4	1	28-lead SOIC_W, 28-lead SSOP	MAX561
ADM3222	3.3	460	2	2	—	Yes	2	4	0.1	18-lead DIP, 18-lead SOIC_W, 20-lead SSOP, 20-lead TSSOP	MAX3222
ADM202	5	120	2	2	—	No	—	4	0.1	16-lead DIP, 16-lead SOIC_N, 16-lead SOIC_W	MAX202
ADM203	5	120	2	2	—	No	—	0	—	20-lead DIP	MAX203
ADM206	5	120	4	3	—	Yes	0	4	0.1	24-lead DIP, 24-lead SOIC_W, 24-lead SSOP	MAX206
ADM207	5	120	5	3	—	No	—	4	0.1	24-lead DIP, 24-lead SOIC_W, 24-lead SOP	MAX207
ADM208	5	120	4	4	—	No	—	4	0.1	24-lead DIP, 24-lead SOIC_W, 24-lead SSOP	MAX208
ADM211	5	120	4	5	—	Yes	0	4	0.1	28-lead SOIC_W, 28-lead SSOP	MAX211
ADM213	5	120	4	5	—	Yes	2	4	0.1	28-lead SOIC_W, 28-lead SSOP	MAX213
ADM222	5	200	2	2	—	Yes	0	4	0.1	18-lead DIP, 18-lead SOIC_W	MAX222
ADM232A	5	200	2	2	—	No	—	4	0.1	16-lead DIP, 16-lead SOIC_N, 16-lead SOIC_W	MAX232A
ADM232L	5	120	2	2	—	No	—	4	1	16-lead DIP, 16-lead SOIC_W	MAX232
ADM233L	5	120	2	2	—	No	—	0	—	20-lead DIP	MAX233
ADM234L	5	120	4	0	—	No	—	4	1	16-lead DIP, 16-lead SOIC_W	MAX234
ADM236L	5	120	4	3	—	Yes	0	4	1	24-lead DIP, 24-lead SOIC_W	MAX236
ADM237L	5	120	5	3	—	No	—	4	1	24-lead DIP, 24-lead SOIC_W	MAX237
ADM238L	5	120	4	4	—	No	—	4	1	24-lead DIP, 24-lead SOIC_W	MAX238
ADM241L	5	120	4	5	—	Yes	0	4	1	28-lead SOIC_W, 28-lead SSOP	MAX241
ADM242	5	200	2	2	—	Yes	2	4	0.1	18-lead DIP, 18-lead SOIC_W	MAX242
ADM209	5 and 12	120	3	5	—	No	—	2	0.1	24-lead DIP, 24-lead SOIC_W, 24-lead SSOP	MAX209
ADM231L	5 and 12	120	2	2	—	No	—	2	1	14-lead DIP, 16-lead SOIC_W	MAX231
ADM239L	5 and 12	120	3	5	—	No	—	2	1	24-lead DIP, 24-lead SOIC_W	MAX239

Analog Devices, Inc. Worldwide Headquarters

Analog Devices, Inc.
One Technology Way
P.O. Box 9106
Norwood, MA 02062-9106
U.S.A.
Tel: 781.329.4700
(800.262.5643,
U.S.A. only)
Fax: 781.461.3113

Analog Devices, Inc. Europe Headquarters

Analog Devices, Inc.
Wilhelm-Wagenfeld-Str. 6
80807 Munich
Germany
Tel: 49.89.76903.0
Fax: 49.89.76903.157

Analog Devices, Inc. Japan Headquarters

Analog Devices, KK
New Pier Takeshiba
South Tower Building
1-16-1 Kaigan, Minato-ku,
Tokyo, 105-6891
Japan
Tel: 813.5402.8200
Fax: 813.5402.1064

Analog Devices, Inc. Southeast Asia Headquarters

Analog Devices
22/F One Corporate Avenue
222 Hu Bin Road
Shanghai, 200021
China
Tel: 86.21.2320.8000
Fax: 86.21.2320.8222