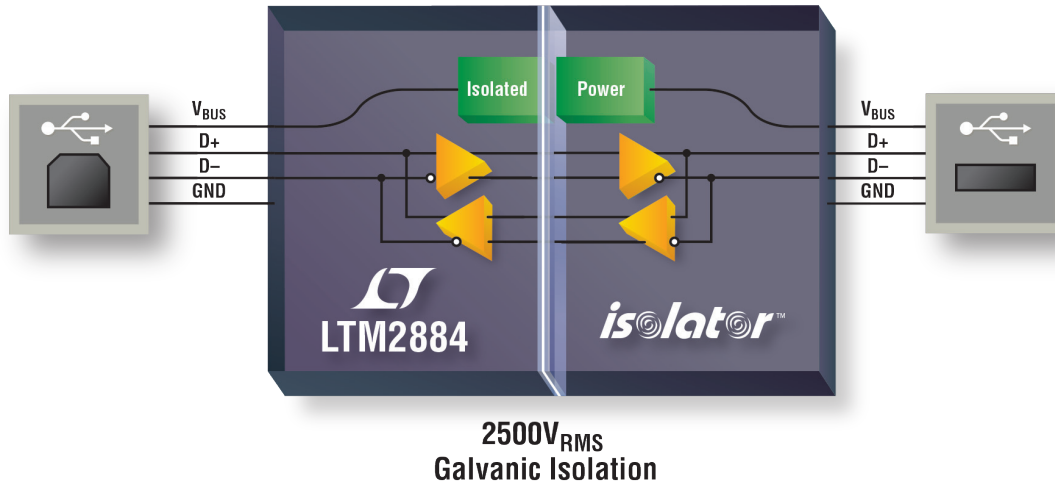


Isolated USB with Power



USB 2.0 with Automatic Full Speed/Low Speed Configuration

The LTM[®]2884 is an isolated USB transceiver that breaks ground loops by isolating the logic level interface and line transceiver. An onboard DC/DC converter provides power to the transceiver and up to 2.5W for powering additional system circuitry. With 2500V_{RMS} galvanic isolation, onboard secondary power and a USB 2.0 compatible transceiver, the LTM2884 requires no external components and provides a small, complete μ Module[®] solution for isolated serial data communications.

▼ Features

- Isolated USB Transceiver: 2500V_{RMS}
- USB 2.0 Full/Low Speed Compatible
- Integrated Isolated DC/DC Converter, External or Bus Powered
- Auto-Configuration of Bus Speed
- 2.5W (500mA at 5V) Output Power from External Supply, 1W (200mA at 5V) Output Power from USB Bus Supply (V_{BUS})
- 30kV/ μ s Common Mode Transient Immunity
- ± 15 kV HBM ESD on Interface Pins
- 15mm x 15mm BGA Package

www.linear.com/product/LTM2884

1-800-4-LINEAR

▼ In-Line USB Isolator LTP2884



LT, LT, LTC, LTM, Linear Technology, the Linear logo and μ Module are registered trademarks and the Isolator logo is a trademark of Linear Technology Corporation. All other trademarks are the property of their respective owners.

