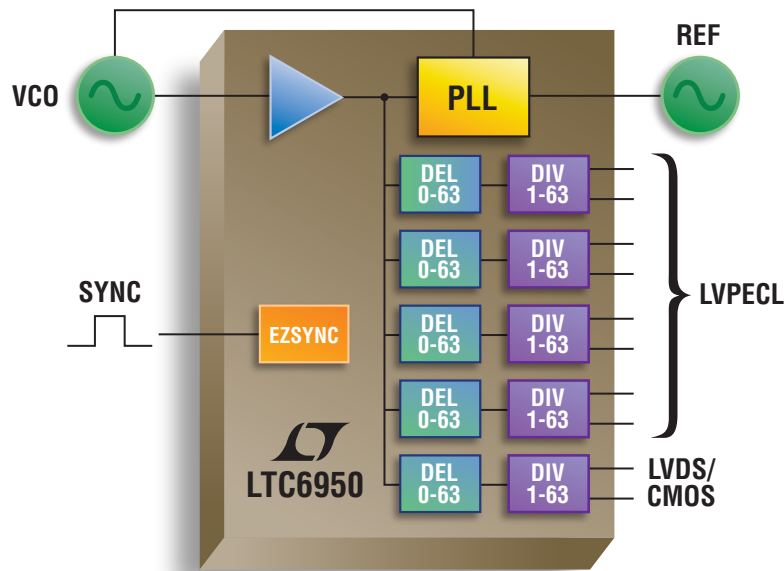


# 1.4GHz Clean Clocking Solution <20fs<sub>RMS</sub> Jitter



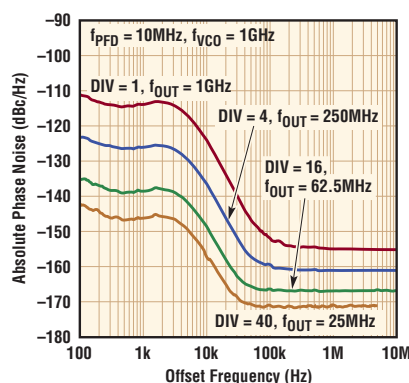
## High Performance, Low Phase Noise Clock Generator

Our new low jitter clock generation and distribution device is ideal for clocking high speed and high resolution ADCs and DACs without compromising performance. The LTC<sup>®</sup>6950 offers best-in-class additive noise performance. The LTC6950 PLL core delivers outstanding 1/f phase noise and in-band phase noise performance. In addition, our proprietary EZSync™ multichip synchronization feature assures consistent edge alignment across all outputs.

### ▼ LTC6950 Features

- Additive Jitter <20fs<sub>RMS</sub> (12kHz to 20MHz)
- Additive Jitter <90fs<sub>RMS</sub> (10Hz to Nyquist Frequency)
- 1.4GHz Maximum Frequency
- Programmable 1 to 63 Output Dividers
- Programmable 0 to 63 Clock Cycle Delay
- EZSync Multichip Clock Edge Synchronization
- -226dBc/Hz Normalized In-Band Phase Noise Floor
- -274dBc/Hz Normalized 1/f Phase Noise

### LTC6950 Closed-Loop Phase Noise



### ▼ Info & Free Samples

[www.linear.com/ClockingSolutions](http://www.linear.com/ClockingSolutions)

1-800-4-LINEAR

