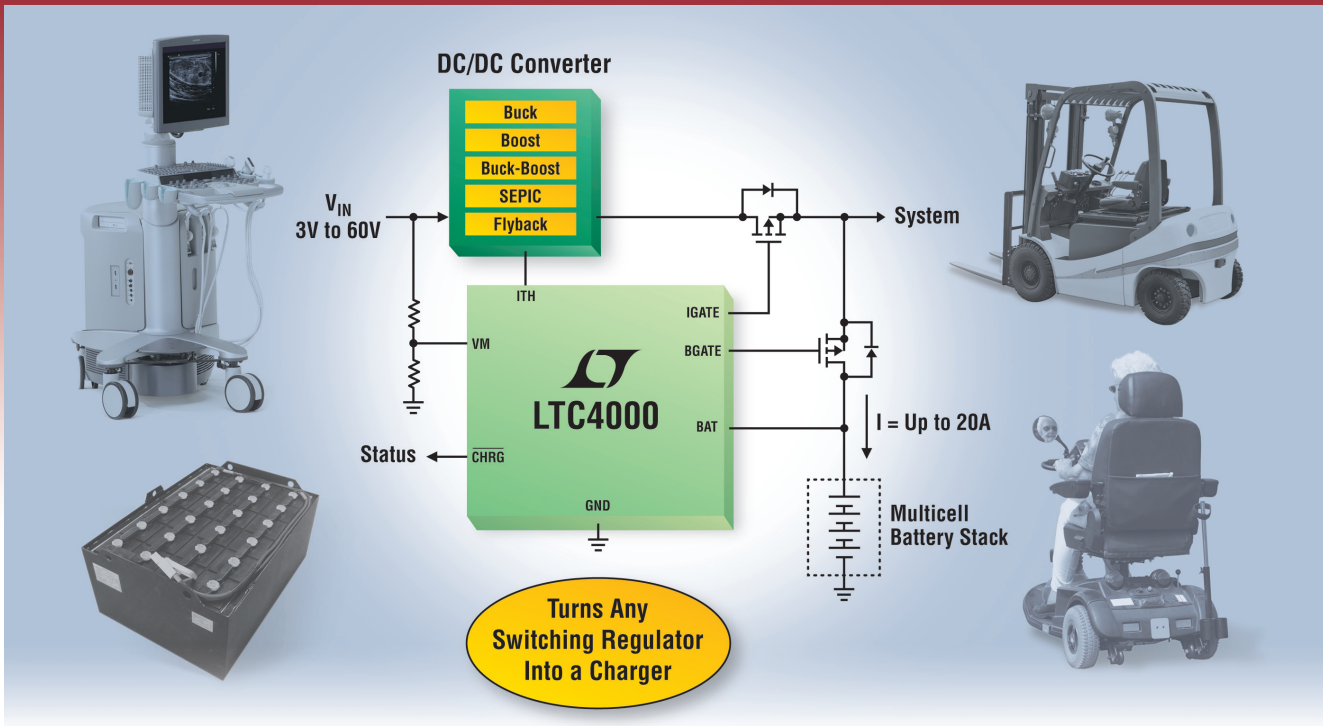


# New Concept in BIG Battery Charging

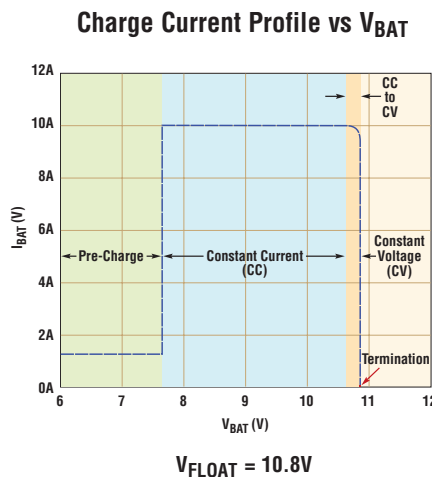


## Complete Solution: PowerPath™ Control & Termination with No Software

The LTC®4000 is a high voltage controller and power manager which, when paired with a DC/DC converter, becomes a full-featured battery charger solution. The LTC4000 is capable of driving virtually any topology, including buck, boost, buck-boost, SEPIC and flyback converters. Its intelligent PowerPath manager provides power to the system load when input power is available, enabling instant-on operation even with a deeply discharged battery. A full-featured controller, the LTC4000 can charge a variety of battery types including lithium, nickel and lead acid-based chemistries. Highly accurate charge current and float voltage, as well as on-board termination, ensure safe and accurate charging.

### ▼ Features

- Input/Output Voltage: 3V to 60V
- Charge Currents up to 20A
- Input Ideal Diode for Low Loss Reverse Blocking and Load Sharing
- Programmable Input and Charge Current: ±1% Accuracy
- ±0.2% Accurate Programmable Float Voltage
- Programmable C/X or Timer-Based Charge Termination
- NTC Input for Temperature Qualified Charging



### ▼ Info & Free Samples

[www.linear.com/product/LTC4000](http://www.linear.com/product/LTC4000)  
1-800-4-LINEAR



**Free Battery  
Charger Solutions  
Brochure**

[www.linear.com/batsolutions](http://www.linear.com/batsolutions)

LT, LT, LTC, LTM, Linear Technology and the Linear logo are registered trademarks and PowerPath is a trademark of Linear Technology Corporation. All other trademarks are the property of their respective owners.

