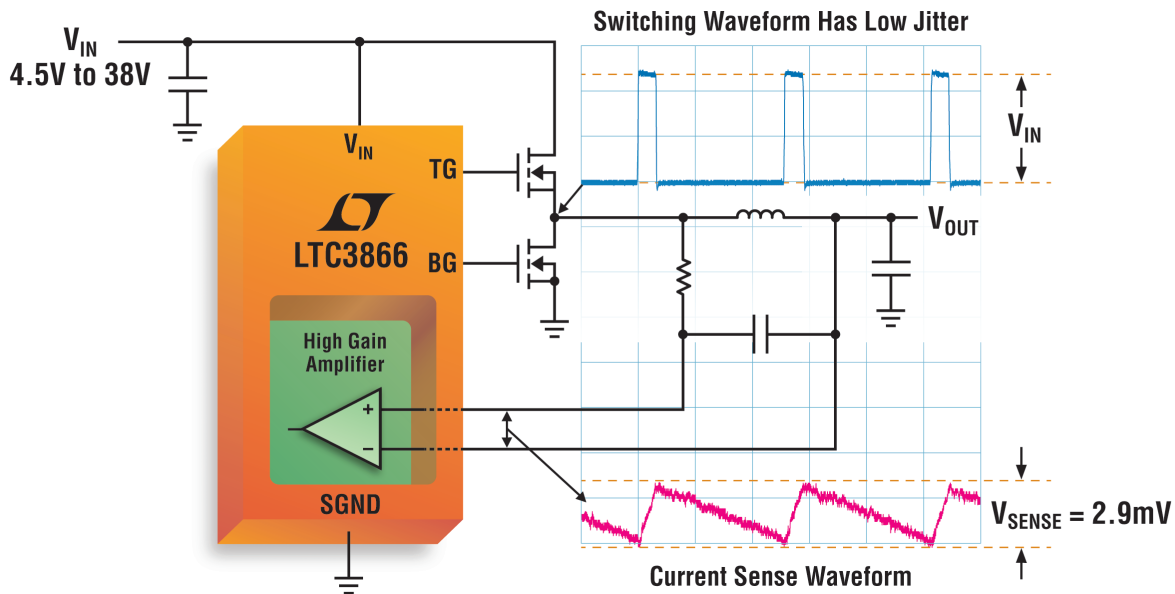


# Sub 0.2mΩ DCR Sensing Current Mode Controller



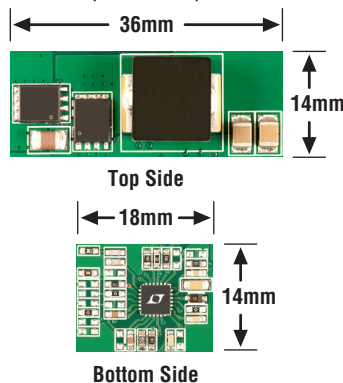
## Breakthrough Controller Enables High Efficiency at >40A

The LTC<sup>®</sup>3866 is the first true current mode controller to break through the sub-1mΩ DCR sensing barrier while maintaining stability and eliminating the switching jitter commonly found in low DCR applications. It can operate with a peak-to-peak sense voltage of just a few mV for optimum efficiency at high output current. The LTC3866 also includes a high speed differential output remote sense amplifier and a ±0.5% accurate reference for small total DC  $V_{OUT}$  error over the full operating temperature range.

### ▼ Features

- $V_{OUT}$  Maximum Total DC Error: ±0.5% over Temp
- Remote  $V_{OUT}$  Sense Amp
- Temperature Compensated Inductor DCR Sense
- Integrated FET Drivers
- Compatible with DrMOS and Power Blocks
- Synchronizable and Easily Paralleled for Multiphase Outputs
- Integrated Thermal Shutdown

### LTC3866 Demo Circuit (Actual Size)



### ▼ Info & Free Samples

[www.linear.com/product/LTC3866](http://www.linear.com/product/LTC3866)

1-800-4-LINEAR



[video.linear.com/p4567](http://video.linear.com/p4567)

LT, LT, LTC, LTM, Linear Technology and the Linear logo are registered trademarks of Linear Technology Corporation. All other trademarks are the property of their respective owners.

