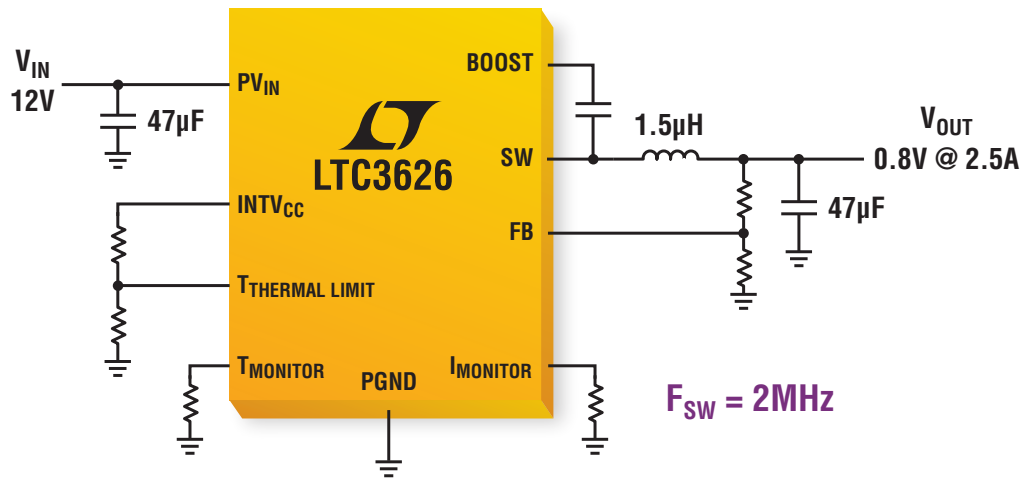


# 20V, 2.5A SWITCHER+



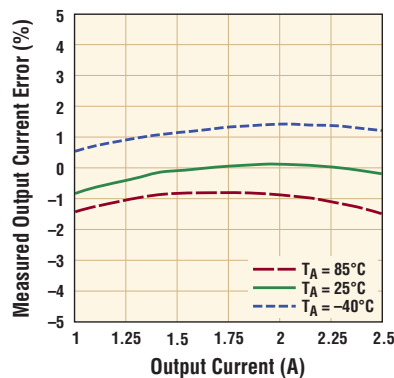
## Programmable Input & Output Current Limits and Monitoring with Die Temp Sensing

The LTC<sup>®</sup>3626 SWITCHER+™ is the first member of a new switcher family featuring programmable input and output current limits, as well as on-chip die temperature monitoring with programmable thermal shutdown. These features provide enhanced system level protection, control and real time status readings. Plus, its unique controlled on-time architecture is ideal for high step-down ratios where high switching frequencies and fast transient response are essential. The LTC3626 combines up to 3MHz switching with a small, compact solution footprint.

### Features

- 2.6V to 20V Input Voltage
- Wide Output Voltage Range: 0.6V to 97%V<sub>IN</sub>
- 95% Efficient
- Up to 2.5A Output Current
  - Average Input and Output Current Monitoring (IMON<sub>IN</sub>, IMON<sub>OUT</sub>)
  - Programmable Average Input/Output Current Limit
  - Die Temp Monitor and Programmable Limit (TSET)

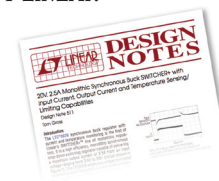
### Output Current Monitor Error



### Info & Free Samples

[www.linear.com/product/LTC3626](http://www.linear.com/product/LTC3626)

1-800-4-LINEAR



[cds.linear.com/docs/Design%20Note/dn511.pdf](http://cds.linear.com/docs/Design%20Note/dn511.pdf)

*LT, LT, LTC, LTM, Linear Technology and the Linear logo are registered trademarks and Switcher+ is a trademark of Linear Technology Corporation. All other trademarks are the property of their respective owners.*

