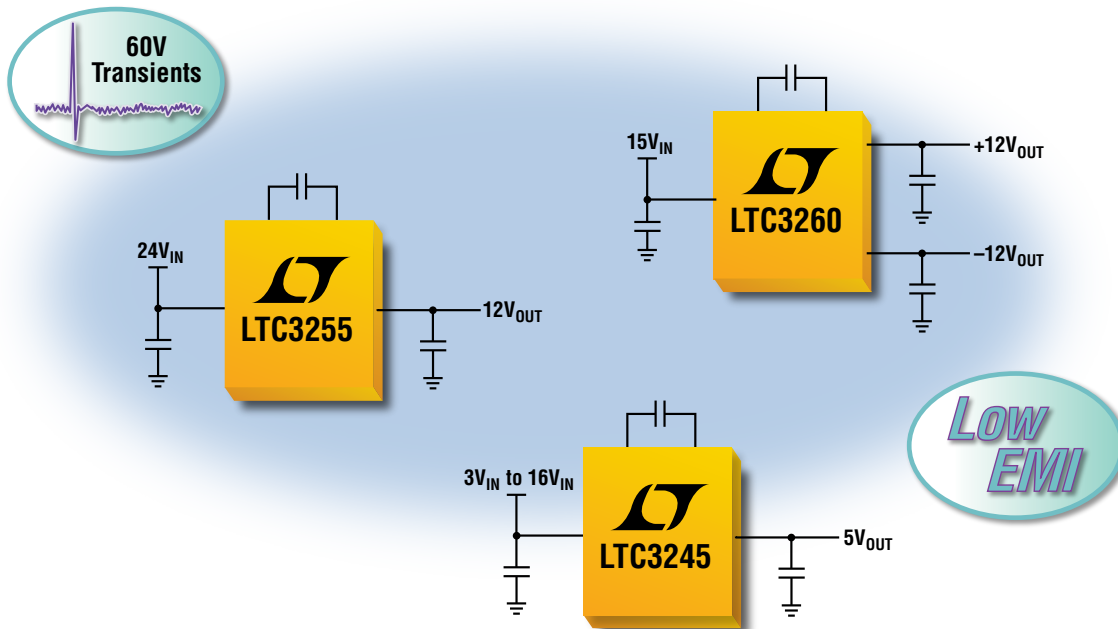


Charge Pumps Go High Voltage



Buck, Buck-Boost, Inverting—No Inductor

Our new family of high voltage charge pumps simplifies the design of DC/DC power supplies by eliminating the need for an inductor and requiring only a capacitor as the external storage element. These devices provide output currents up to 250mA and conversion topologies including buck, inverting and buck-boost. Their wide input voltage range of 2.7V to 48V and 60V transient ride-through and wide operating temperature range (up to 150°C) make them ideal for automotive, industrial and medical applications.

High Voltage Charge Pumps

Part Number	V _{IN} Range	Quiescent Current	Max I _{OUT}	LDO Follower	Topology
LTC [®] 3255	4V to 48V	16μA	50mA		Buck
LTC3245	2.7V to 38V	18μA	250mA		Buck-Boost
LTC3260	4.5V to 32V	100μA	2 x 50mA	✓	Dual: Inverter/LDO
LTC3261	4.5V to 32V	60μA	100mA		Inverter

Info & Free Samples

www.linear.com/hvchargepumps

1-800-4-LINEAR

LT, LT, LTC, LTM, Linear Technology and the Linear logo are registered trademarks of Linear Technology Corporation. All other trademarks are the property of their respective owners.

