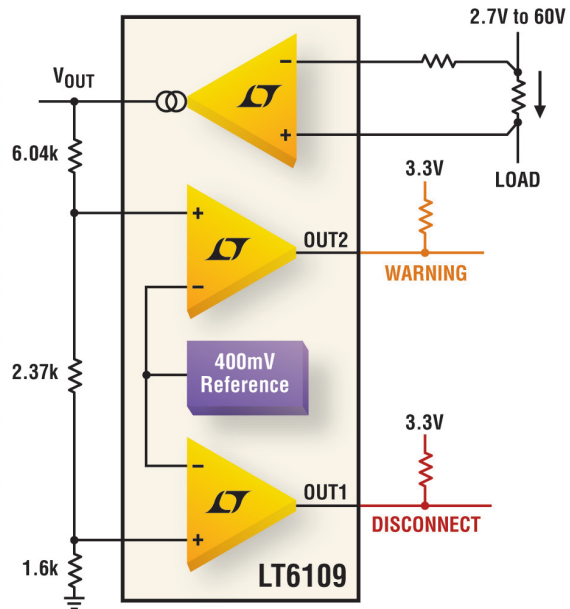


# Current Sense System

- ✓ Fast 500ns Amplifier Response
- ✓ 2.7V to 60V Supply Voltage
- ✓ 350 $\mu$ V (MAX) Input Offset
- ✓ Fully Specified from -40°C to 125°C
- ✓ Fast, Precise On-Chip Fault Detection



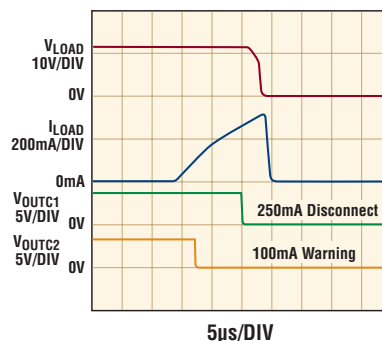
## Precise, Rugged and Fast Current Monitor and Control

Linear Technology's LT<sup>®</sup>6108 and LT6109 are complete high side current sense devices that combine a high precision current sense amplifier with comparators and a precision voltage reference. When connected to a current shunt resistor, the high side current sense amplifier precisely extracts the shunt voltage, amplifies it, and provides a ground referenced signal for actuator control, power and battery-life management, bias current control, load monitoring, and other current control applications. The on-chip comparators can be directly connected to the current sense signal for fast fault condition alerts, providing a complete solution for current sensing.

### Current Sense Amplifiers

Part Number	Input Voltage (V)	Input Offset ( $\mu$ V)	Comments
LT1999	-5 to 80	750	Wideband AC CMRR
LT6100	4.1 to 48	300	5 Fixed Gain Settings
LT <sup>®</sup> 6101	4 to 105	300	Fast, High Voltage Monitor
LTC6102	4 to 105	10	Zero-Drift, Highest Precision
LTC6103	4 to 70	450	Dual Precision Amplifiers
LTC6104	4 to 70	450	Bidirectional Monitor
LT6105	-0.3 to 44	300	Monitors $V_S$ Down to GND
LT6106	2.7 to 44	250	Lowest Cost, Simple
LT6107	2.7 to 44	250	Rated for -55°C to 150°C
LT6108	2.7 to 60	350	Includes Comparator + Ref
LT6109	2.7 to 60	350	Includes 2 Comparators + Ref

### Response to Overcurrent Event



### Info & Free Samples

[www.linear.com/product/LT6109](http://www.linear.com/product/LT6109)

1-800-4-LINEAR



Download Linear Technology's  
ISENSE Guide

[www.linear.com/currentsense](http://www.linear.com/currentsense)

LT, LT, LTC, LTM, Linear Technology and the Linear are registered trademarks of Linear Technology Corporation. All other trademarks are the property of their respective owners.

