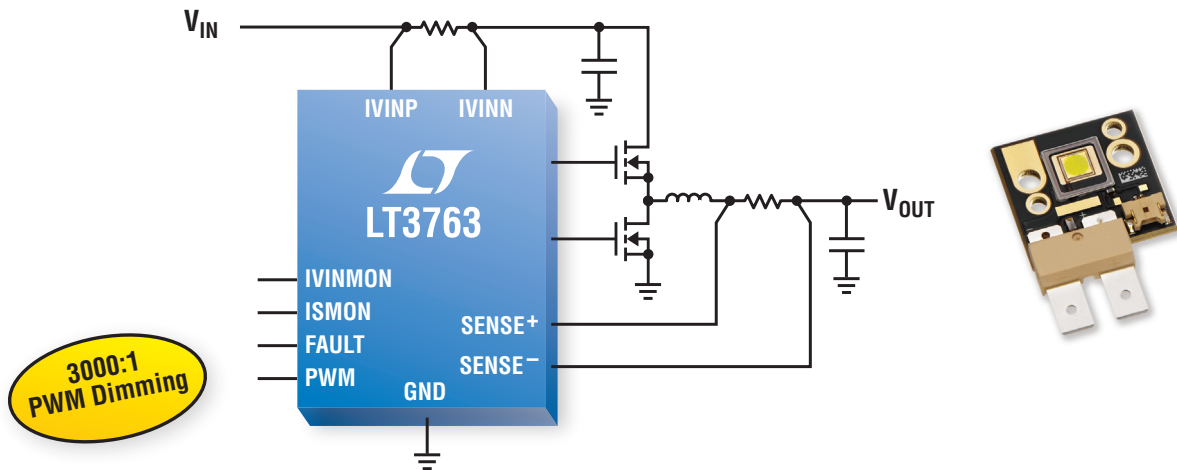


60V_{IN} 350W LED Driver



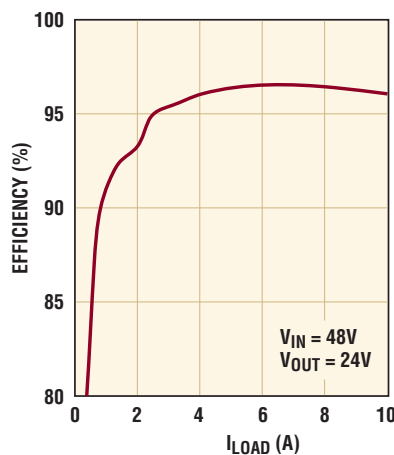
20A Outputs for LEDs or Current Sources That Are Easy to Parallel

The LT[®]3763 is a high power synchronous step-down controller delivering up to 20A of output current to drive big LEDs. It can also be used as a current source for charging supercapacitors or lead acid batteries. Capable of sensing both input and output current, the LT3763 ensures accurate current limiting and regulation, enabling $\pm 1.5\%$ voltage regulation accuracy and $\pm 6\%$ current regulation accuracy. The device's input voltage range of 6V to 60V and output from 0V to 55V provide design flexibility. Its FBIN pin is ideal for applications that require a peak power tracking function such as solar panel chargers.

Features

- Accurate Control of Input & Output Current
- 3000:1 True Color PWM™ Dimming
- $\pm 1.5\%$ Voltage Regulation Accuracy
- $\pm 6\%$ Current Regulation Accuracy
- Input Voltage Range: 6V to 60V
- Control Pin for Thermal Control of Load Current

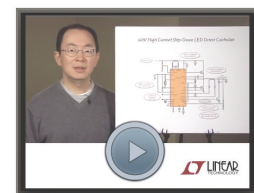
Efficiency vs Load Current



Info & Free Samples

www.linear.com/product/LT3763

1-800-4-LINEAR



video.linear.com/150

LT, LT, LTC, LTM, Linear Technology, and the Linear logo are registered trademarks and True Color PWM is a trademark of Linear Technology Corporation. All other trademarks are the property of their respective owners.

