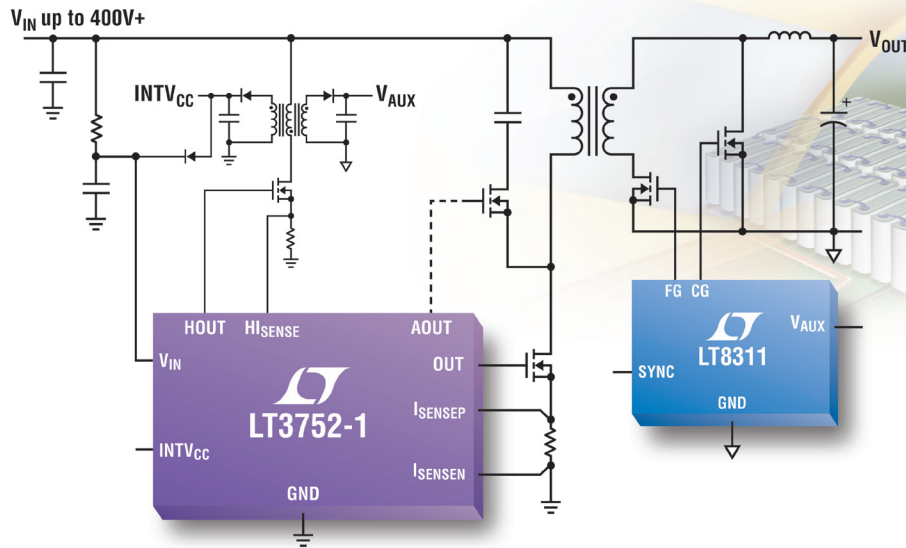


400V+ Active Clamp Forward



High Efficiency, Improved Integration, Low Parts Count, No Opto

Our new family of synchronous forward controllers brings a new level of design simplification to high voltage isolated power conversion. Not only do they shrink and reduce the complexity of the magnetics, they also eliminate the need for an optocoupler. Combined with active clamp transformer reset and an optional housekeeping voltage controller, each IC provides a versatile and highly efficient solution. The wide input voltage range of over 400V makes these controllers ideal for a broad range of automotive, industrial and medical applications.

▼ Synchronous Forward Controllers

Part Number	Description	Input Voltage Range	Housekeeping Flyback Controller
LT [®] 3752	Active Clamp Synchronous Forward Controller	6.5V to 100V	Yes
LT3752-1	Active Clamp Synchronous Forward Controller	100V to 400V+	Yes
LT3753	Active Clamp Synchronous Forward Controller	8.5V to 100V	No
LT8310	Synchronous Forward Controller	6V to 100V	No
LT8311	Secondary-Side Synchronous Forward Gate Driver & Opto Control	3.7V to 30V	No

▼ Info & Free Samples

www.linear.com/product/LT3752

1-800-4-LINEAR

LT, LT, LTC, LTM, Linear Technology and the Linear logo are registered trademarks of Linear Technology Corporation. All other trademarks are the property of their respective owners.

