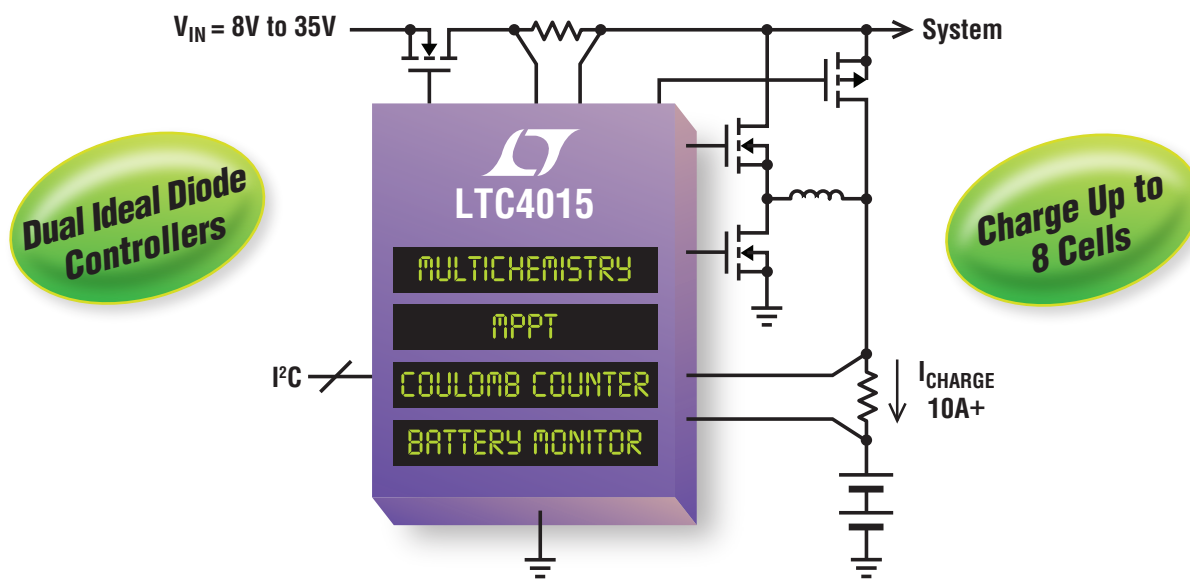


# 35V Buck Battery Charger with Digital Telemetry



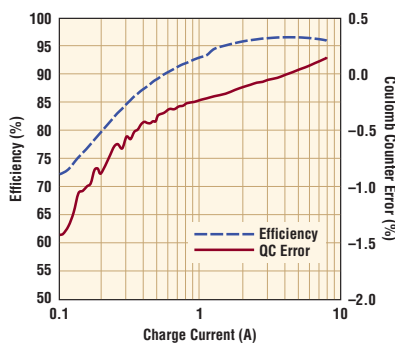
## Multichemistry, Coulomb Counter & Battery Health Monitoring

The LTC<sup>®</sup>4015 is a complete synchronous buck controller/charger for single or multiple Li-Ion/Polymer, LiFePO<sub>4</sub> or lead-acid battery chemistries with on-chip termination algorithms. Many system parameters can be programmed and/or digitally monitored, including battery voltage and current, battery series resistance, input voltage & current plus battery & die temperatures, all via an I<sup>2</sup>C port. Battery health can be tracked with the battery series resistance measurement and integrated coulomb counter. The LTC4015 also supports stand-alone applications with no digital programming required.

### Features

- Multichemistry Charger with Termination
- High Efficiency Synchronous Buck Topology
- Input Voltage Range: 4.5V to 35V
- Digital Telemetry System Monitors for Most Parameters
- Coulomb Counter and 14-Bit ADC
- PowerPath™ Control for Instant-on Operation
- Maximum Power Point Tracking

### Charger Efficiency & Coulomb Counter Error vs. Charge Current



### Info & Free Samples

[www.linear.com/product/LTC4015](http://www.linear.com/product/LTC4015)

1-800-4-LINEAR



**Free Battery Charger Solutions Brochure**

[www.linear.com/batsolutions](http://www.linear.com/batsolutions)

LT, LT, LTC, LTM, Linear Technology and the Linear logo are registered trademarks and PowerPath is a trademark of Linear Technology Corporation. All other trademarks are the property of their respective owners.