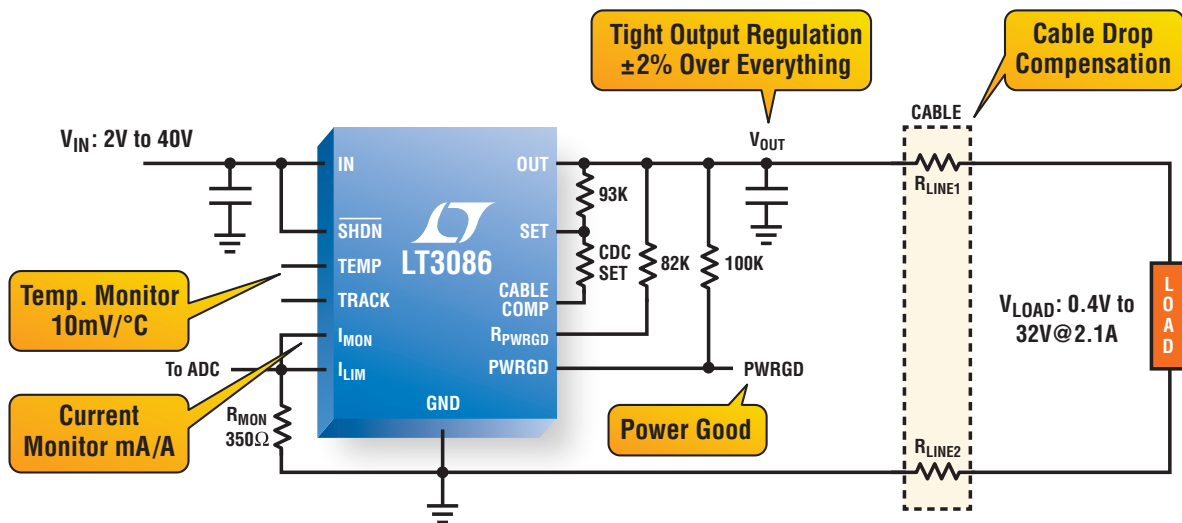


# The Voltage You Want Where You Want It



Wide input voltage range: 2V to 40V; 1 resistor sets the output voltage: 0.4V to 32V; Output current: 2.1A, Tolerance  $\pm 2\%$  over line, load and temperature; Output current monitor:  $I_{MON} = I_{OUT}/1000$ ; Temperature monitor with programmable thermal limit; Programmable cable drop compensation; Multiple devices can be paralleled for higher output currents; Dropout voltage: 330mV.

The LT<sup>®</sup>3086, LDO<sup>™</sup> regulator, delivers up to 2.1A with a wide safe operating area (SOA). Only a single resistor is required to set the output voltage from 0.4V to 32V, guaranteed to  $\pm 2\%$  over line, load and temperature. Programmable cable drop compensation cancels output voltage errors caused by resistive connections to the load. For improved thermal management, master/slave configurations allow paralleling of multiple devices for higher output currents without external ballast resistors.

## Applications

- Low Voltage Power Supplies
- High Efficiency Switching Supplies
- Post Regulator for Low Noise Outputs
- USB Power Sockets Requiring Cable Drop Compensation
- High Power Outputs with Good Thermal Management Due to Parallel Regulators Spreading the Heat
- CPU Core/Logic Power Supplies for Sub-1V Outputs

## Related LDOs

Part No.	Description
LT3082	200mA Single Resistor Low Dropout Linear Regulator
LT3085	Adjustable 500mA Single Resistor Low Dropout Regulator
LT3022	1A, 0.9V to 10V, Very Low Dropout Linear Regulator
LT3080	Adjustable 1.1A Single Resistor Low Dropout Regulator
LT1965	1.1A, Low Noise, Low Dropout Linear Regulator
LT1963A	1.5A, Low Noise, Fast Transient Response LDO Regulator
LT1764A	3A, Fast Transient Response, Low Noise, LDO Regulator
LT3083	Adjustable 3A Single Resistor Low Dropout Regulator
LT3070	5A, Low Noise, Programmable Output, 85mV Dropout Linear Regulator
LT3071	5A, Low Noise, Programmable Output, 85mV Dropout Linear Regulator with Analog Margining

## Info & Free Samples

[www.linear.com/product/LT3086](http://www.linear.com/product/LT3086)

1-800-4-LINEAR



[video.linear.com/131](http://video.linear.com/131)

LT, LT, LTC, LTM, Linear Technology and the Linear logo are registered trademarks and LDO+ is a trademark of Linear Technology Corporation. All other trademarks are the property of their respective owners.

