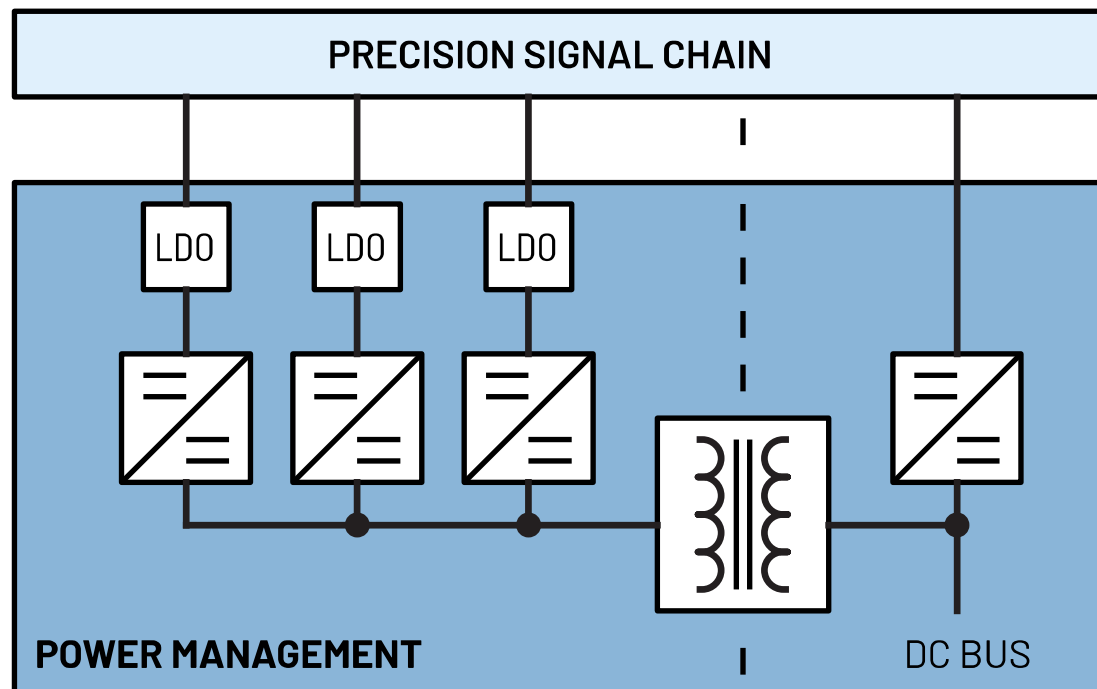


POWER SOLUTIONS FOR PRECISION TECHNOLOGY SIGNAL CHAINS

PRECISION CURRENT SENSING Current Measurement – Grid Monitoring Precision DC Measurement

Rev. 0 | Aug. 2022



©2022 Analog Devices, Inc. All rights reserved.
Trademarks and registered trademarks are the
property of their respective owners.

This document is interactive. You can click on any underlined text to navigate through the document.

For the resources:

APPENDIX	<u>Parts Guide</u>
	<u>Power Requirements</u>

Left-click the Parts Guide and Power Requirements to go through the list of power devices and other references.

The Power Components are listed on the Appendix, and you may click on the part to go through its product page online.

PART #	DESCRIPTION
<u>LT3471</u>	Dual 1.3A, 1.2MHz Boost/Inverter in 3mm × 3mm DFN
<u>LT8604</u>	High Efficiency 42V/120mA Synchronous Buck
<u>LT8570-1</u>	Boost/SEPIC/Inverting DC/DC Converter with 65V Switch, Soft-Start and Sync.

For the individual pages:

Left-click the specific signal chain to go through its respective block diagram or power tree.

Non-isolated	POWER RE
<u>1-Channel</u>	
	PARAMETER
	Supply Voltage
	Supply Current
	PSRR

Precision Current Sensing

APPENDIX

[Parts Guide](#)

[USER GUIDE](#)

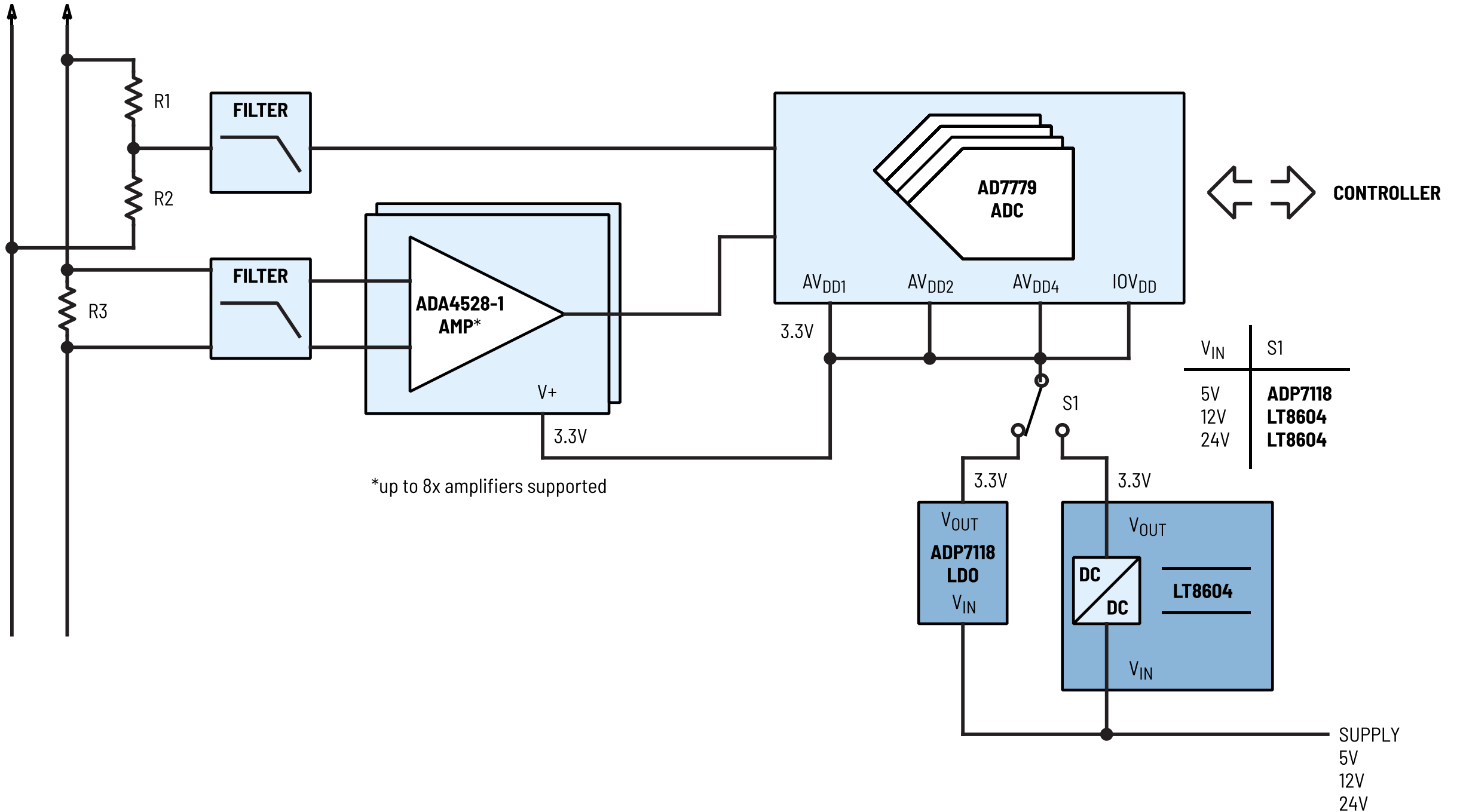
[Power Requirements](#)

Current Measurement – Grid Monitoring

Precision DC Measurement

Non-isolated

Multichannel



Precision Current Sensing

Current Measurement – Grid Monitoring

Precision DC Measurement

Non-isolated

Multichannel

PART #	DESCRIPTION
<u>ADP7118</u>	20 V, 200 mA, Low Noise, CMOS LDO Linear Regulator
<u>LT8604</u>	High Efficiency 42V/120mA Synchronous Buck

Non-isolated

Multichannel

POWER REQUIREMENTS

PARAMETER	STAGES	Filter	Amplifier		ADC			
	Part # Pin	-	ADA4528-1 V+	V-	AV _{DD1}	AV _{DD2}	AV _{DD4}	IOV _{DD}
Supply Voltage	V	-	5 or 3.3	-	3.3	3.3	3.3	3.3
Supply Current	mA	-	2.2	-	25.5	9.45	2	10.7
PSRR	dB	-	20 (650kHz)	-	125 (1MHz; G=8)			

Note 1: The supply currents indicated are the maximum quiescent current of the supply rails. For overall full load or short circuit current specifications, refer to the datasheets of the signal chain components.

Note 2: The supply voltages indicated are the values for typical applications.

Note 3: Consult the corresponding datasheets for details on: (1) power supply rejection ratio (PSRR) and (2) power dissipation.

Note 4: The actual supply current requirement shall be multiplied depending on the number of channels on the signal chain.