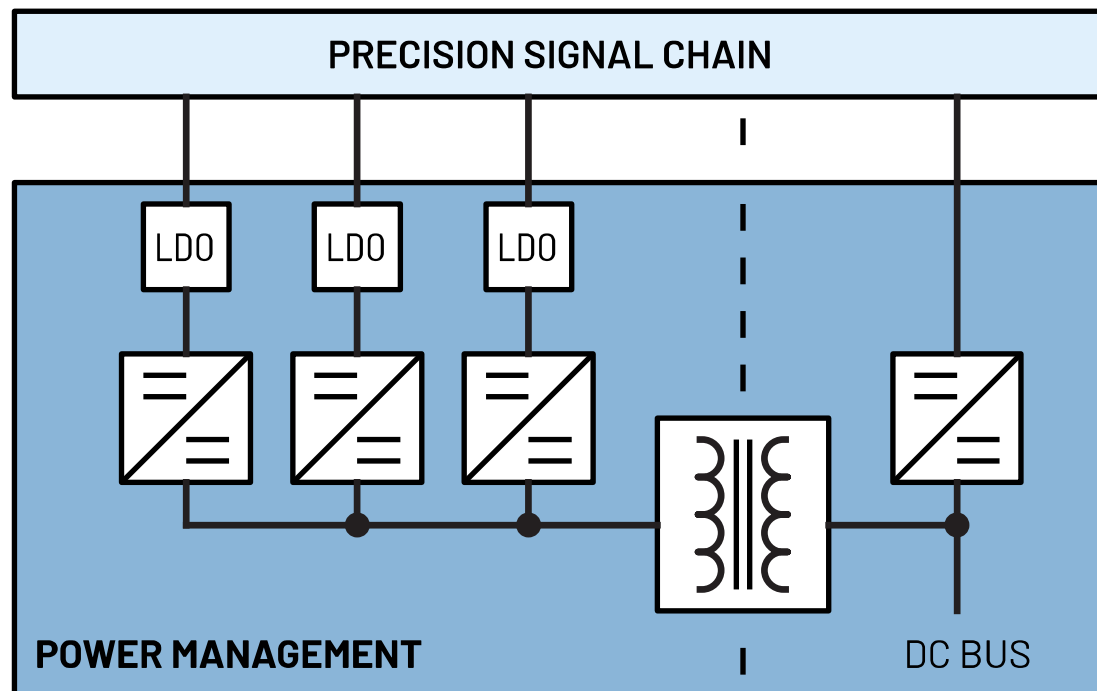


POWER SOLUTIONS FOR PRECISION TECHNOLOGY SIGNAL CHAINS

PRECISION MEDIUM BANDWIDTH
Edge Node Vibration Sensing
Wide Bandwidth Compact Solution

Rev. 0 | Aug. 2022



©2022 Analog Devices, Inc. All rights reserved.
Trademarks and registered trademarks are the
property of their respective owners.

This document is interactive. You can click on any underlined text to navigate through the document.

For the resources:

APPENDIX	<u>Parts Guide</u>
	<u>Power Requirements</u>

Left-click the Parts Guide and Power Requirements to go through the list of power devices and other references.

The Power Components are listed on the Appendix, and you may click on the part to go through its product page online.

PART #	DESCRIPTION
<u>LT3471</u>	Dual 1.3A, 1.2MHz Boost/Inverter in 3mm × 3mm DFN
<u>LT8604</u>	High Efficiency 42V/120mA Synchronous Buck
<u>LT8570-1</u>	Boost/SEPIC/Inverting DC/DC Converter with 65V Switch, Soft-Start and Sync.

For the individual pages:

Left-click the specific signal chain to go through its respective block diagram or power tree.

The screenshot shows a navigation menu on the left with two items: 'Non-isolated' and '1-Channel'. The '1-Channel' item is highlighted with a blue arrow pointing to it. To the right is a table titled 'POWER RE' with a 'PARAMETER' column and several rows: 'Supply Voltage', 'Supply Current', and 'PSRR'.

APPENDIX

[Parts Guide](#)

[USER GUIDE](#)

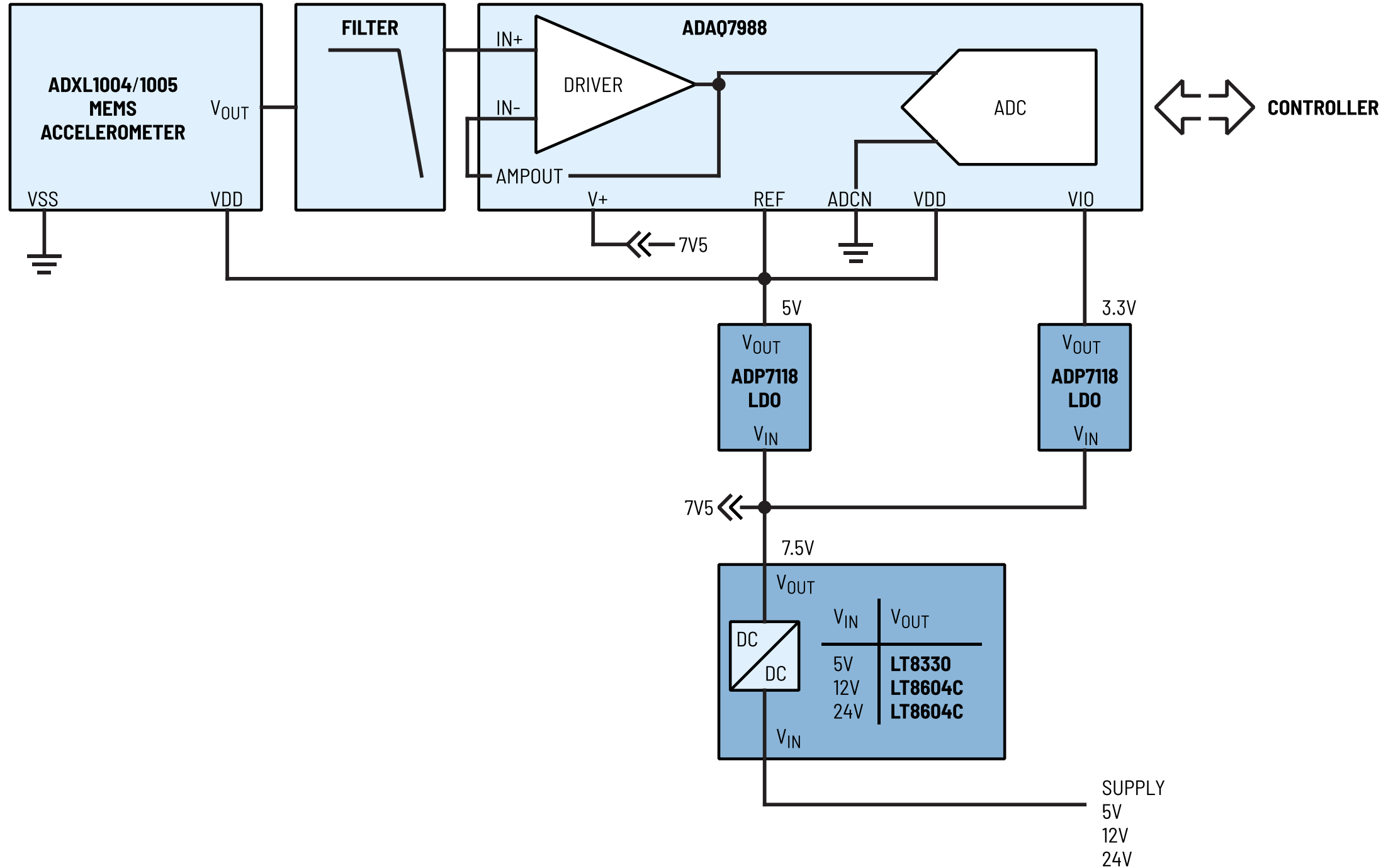
[Power Requirements](#)

Edge Node Vibration Sensing

Wide Bandwidth Compact Solution

Non-isolated

Single-channel



Precision Medium Bandwidth

Edge Node Vibration Sensing

Wide Bandwidth Compact Solution

Non-isolated

Single-channel

PART #	DESCRIPTION
LT8604	High Efficiency 42V/120mA Synchronous Buck
LT8330	Low I _q Boost/SEPIC/Inverting Converter with 1A, 60V Switch
ADP7118	20V, 200mA, Low Noise, CMOS LDO Linear Regulator

Non-isolated

Single-channel

POWER REQUIREMENTS

	STAGES	MEMS Accelerometer	ADC Driver ADC Ref Buffer		
PARAMETER	Part #	ADXL1004 ADXL1005	ADAQ7988		
	Pin	V _{DD}	V+	V _{DD}	V _{I0}
Supply Voltage	V	5	7.5	5	3.3
Supply Current	mA	1.15	1.85	0.8	0.17
PSRR	dB	-	70 (1MHz)	-	-

Note 1: The supply currents indicated are the maximum quiescent current of the supply rails. For overall full load or short circuit current specifications, refer to the datasheets of the signal chain components.

Note 2: The supply voltages indicated are the values for typical applications.

Note 3: Consult the corresponding datasheets for details on: (1) power supply rejection ratio (PSRR) and (2) power dissipation.

Note 4: The actual supply current requirement shall be multiplied depending on the number of channels on the signal chain.